



Intended Uses:

SKYJACK adjustable pedestals are used to support raised rooftop terraces to create level patios on top of roofs that slope up to 7% taking once wasted rooftop space and making it a showcase space for a building. SKYJACK adjustable pedestals can also help eliminate more expensive patio supports like steel or wood frames with a weight bearing capacity of 1,150 lbs. per pedestal.

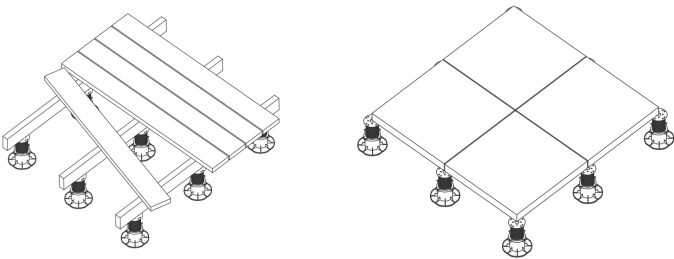
Application:

SKYJACK pedestals are uniquely designed to achieve perfectly level patios with the easy twist of our screw ring. Set up your laser level, place pavers or decking on top of the pedestals and twist until level. Simple, easy and perfect results every time.

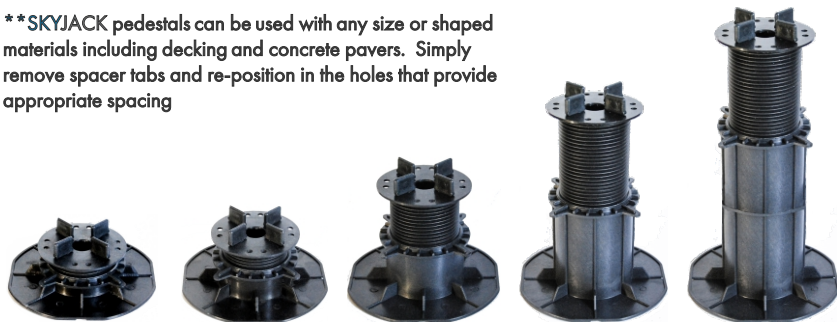
Calculating # of Pedestals

Use the following formula to estimate the approximate # of pedestals used:

1. Calculate the total # of pavers (ie - 46 pavers)
2. Calculate the total # of pavers needed around the perimeter and divide by the width of the paver (typically 2') (ie - 26 - 2'x2' pavers, so $26/2 = 13$)
3. Add the totals together ($46 + 13 = 59$)
4. Add 5% for waste ($59 * .05 = 2.95$)
5. $59 + 3 = 62$ pedestals needed

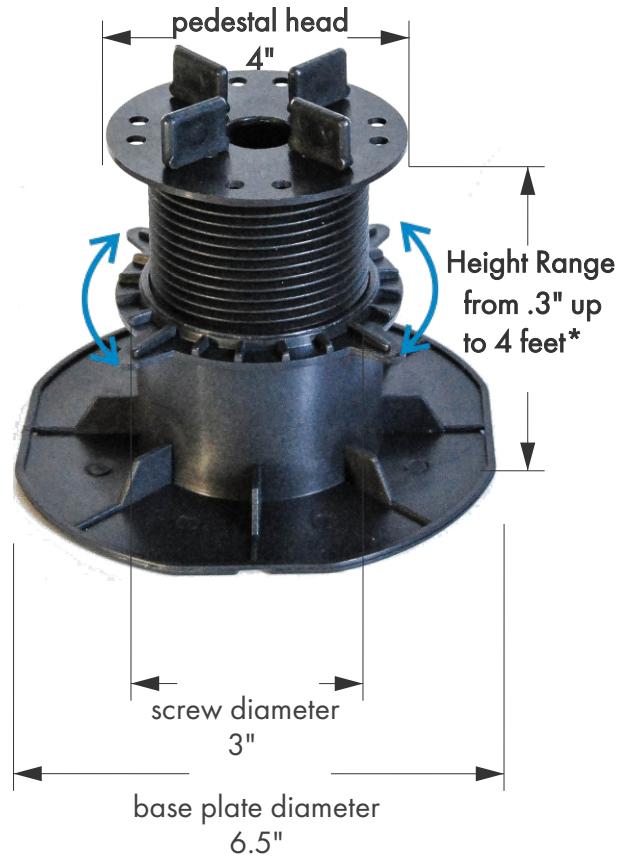


**SKYJACK pedestals can be used with any size or shaped materials including decking and concrete pavers. Simply remove spacer tabs and re-position in the holes that provide appropriate spacing



SD01 1.2-1.75" SD02 1.75-2.75" SD03 2.75-4.75" SD04 4.75-8.5" SD04 + SDES

SKYJACK adjustable pedestal system
by skydeck usa



- 1 wide, stable base
- 2 screw ring for height adjustment
- 3 head with screw
- 4 removable spacer tabs

Material: Fully Recyclable High Density Copolymer Poly Propylene (HDCPP)



Temp. Range:
-12°F - 212°F

Weight Capacity:
1,150 lbs / pedestal

Atmospheric Conditions:
Resistant to UV Radiance, Aging and Decay

*Pedestal heights of up to 4' can be achieved using the SKYWALK Sky Heights Reinforcement System. Contact us for details.