



skydeck
— Usa —

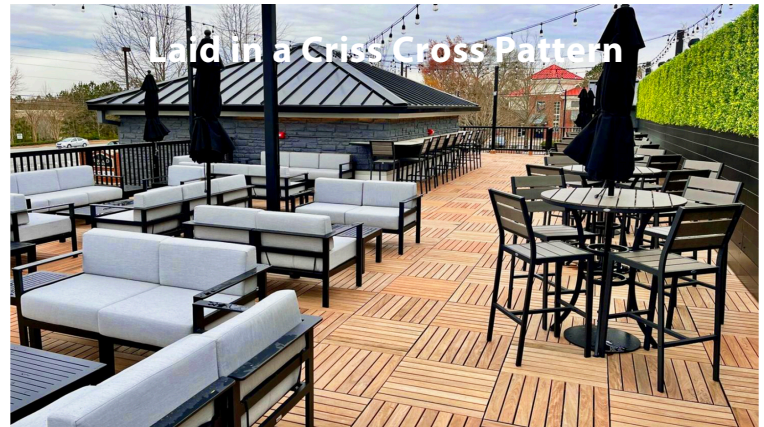
ipe wood paver product brochure



BENEFITS OF BRAZILIAN HARDWOOD (IPE) ON PEDESTALS

- Highly resistant to termites, decay and mold
- Very hard and dense
- Wear resistant and scuff resistant
- Class A fire rating
- High bending and shearing strength
- Resists warping and twisting
- Weathers without splintering
- Lower maintenance than less dense species
- Life expectancy will outlast your roofing membrane
- Lengthens the life expectancy of your roofing membrane by protecting it from harmful UV
- Seamlessly integrates with green roof features or other flooring materials like Ipe wood, Turf, or porcelain
- Roof components below pavers are easily accessible
- Utilizes previously unusable space

DESIGN FLEXIBILITY TO MATCH ANY AESTHETIC



SPECIFICATIONS

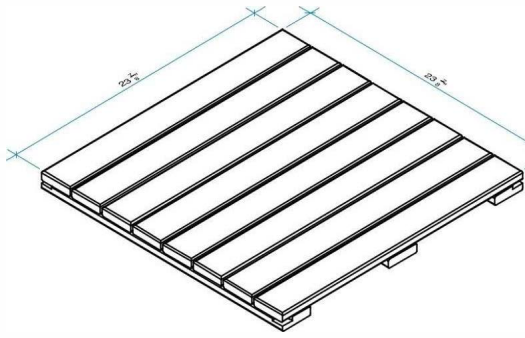


skydeck
— Usa —
Rooftop Patios. Simply Done.

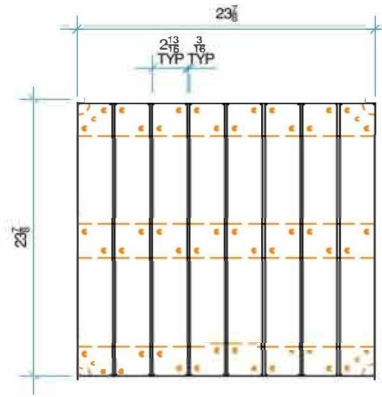
Tile size.....	237/8inx237/8in
Covered area.....	24 in x 24 in
Tile height.....	1 11/16 in
Wood thickness.....	13/16in
Slats per tile.....	8
Width of slats.....	2 7/8 in
Slat spacing.....	3/16 in approx.
Ends & sides finish.....	S4SE4E (radius 1/8in)
Tile weight.....	23.5 lbs (6 lbs/sqft)
Ends/Surface finish.....	Ends waxed with paraffin, surface wood not coated with oil
Common name.....	lpe
Botanical name.....	Tabebuia sp.
Color.....	Typically reddish brown color, but can vary from olive brown to blackish, often with lighter or darker striping
Grain.....	Fine to medium texture, grain always interlocked, sometimes very oily looking
Density @ 12% moisture.....	1050-1180kg/m ³
Durability.....	Class A
Fire rating (ASTME108).....	Class A for spread of flame and intermittent flame exposure
Hardness (Janka).....	3680(veryhard)
Resistance to decay and insect attack.....	Resistant to attack by decay, fungi, and termites — Not resistant to marine borers
Modulus of rupture.....	170MPa
Modulus of elasticity.....	21 GPa
Uniform weight load capacity.....	2,900lbs per Tile
System dead load.....	8-10 lbs per square foot depending on pedestal height and if bracing is required
Maximum crushing strength.....	94 MPa
Maximum bending strength.....	22,560 psi
Shrinkage.....	7% tangential, 6% radial — 1.2 tangential/radial shrinkage ratio
Slip Resistance.....	Dry: .615FL; Wet: .43FP
Solar Reflectance Index (SRI).....	New: 41; Weathered: 24



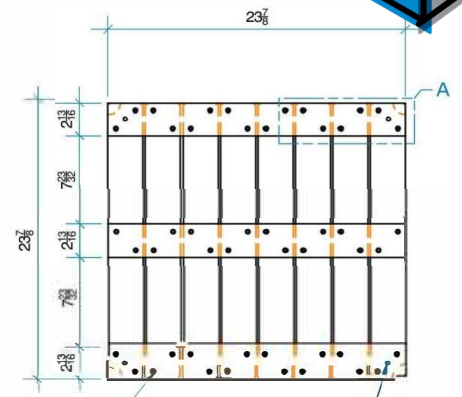
ipe paver assembly details



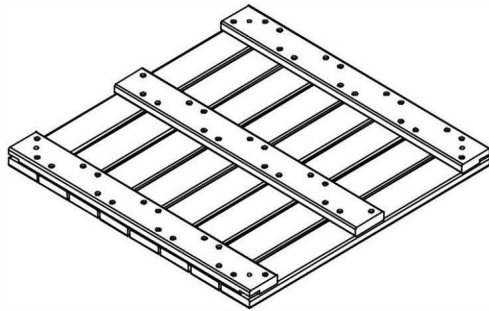
ISOMETRIC: TOP



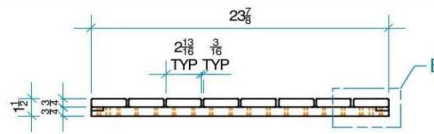
TOP VIEW



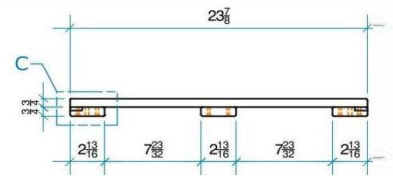
BOTTOM VIEW



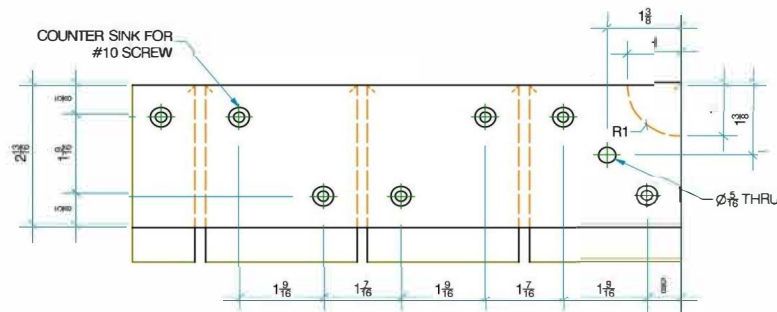
ISOMETRIC: BOTTOM



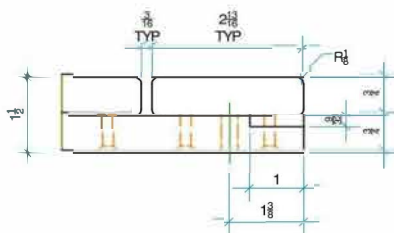
FRONT VIEW



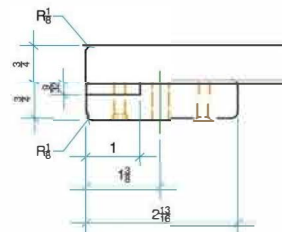
SIDE VIEW



DETAIL A



DETAIL B



DETAIL C



INSTALLATION



skydeck
— **USA** —
Rooftop Patios. Simply Done.

RECEIVING THE PRODUCTS

Materials should be placed in a shaded location and unwrapped immediately upon arrival to the job site. Place spacers between the tiles to allow airflow while they acclimate to the climate and humidity level in the location where they'll be installed. Tiles and planks should be left to acclimate for 7-10 days prior to installation. Natural shrinking should be expected as the wood ages.

INSTALLATION ON ADJUSTABLE PEDESTALS

For installation on adjustable pedestals, it is very important that the structural integrity of the tile is maintained when cutting edge tiles. This may require relocating one (or two) of the support battens and re-attaching these to the slats from the underside of the tile. It may also be necessary to drill and countersink additional holes when re-inserting screws. Any time a cut is made, the cut edge must be immediately sealed with hardwood end sealant to ensure no moisture can be absorbed into the tile. Be careful not to allow the edge sealant to get on the visible surface of the tile as it may change the color.

It is also important that an adequate number of pedestals are used around the perimeter of the paved area, and that the perimeter is bounded by a low wall or some other restraining structure to prevent the tiles from moving.

INSTALLATION ON GRADE

If installing solid wood pavers over a firm substrate such as concrete, we do not recommend laying them directly on the substrate, for the following reasons:

- If wood is allowed to remain in contact with water for extended periods, it may result in some swelling of the bearers and possible temporary warping or twisting of the wood slats.
- Unless the tiles are all laid parallel to the slope (and not in an alternating checkerboard pattern), the bearers on the underside will prevent water flowing freely underneath the tiles.
- If the substrate is slightly uneven, the pavers could “rock” on the surface, or one or more of the edges may protrude, creating a potential tripping hazard

For best results we thus recommend laying the tiles on fixed height HDPE pedestals (as low as 1/2” elevation) installed at each corner.

REQUIRED WAXING AND SEALING

Our structural Ipe wood tiles are supplied without any factory applied oil coating. Any cut edges must be sealed with hardwood edge sealant immediately upon installation. Additionally, we strongly recommend that tiles are coated with a high quality decking oil as soon as practical after installation to maintain the attractive color of the wood and reduce natural shrinking and cracking and reducing the rate at which the wood will weather naturally to a silvery grey color.



MAINTENANCE



skydeck
— **USA** —
Rooftop Patios. Simply Done.

Our structural wood tiles are constructed exclusively with Brazilian hardwood, which is noted not only for its stability in service but also its long life, hardness, excellent weathering properties and resistance to insect attack. Therefore the tiles can be expected to maintain their attractive appearance over a long period with minimal ongoing maintenance.

APPEARANCE

Brazilian hardwood typically exhibits variation in both color and grain which can vary both from tile to tile and within the individual slats of a single tile. These variations add to the character and overall appearance of the finished project.

STORAGE

If the tiles have been supplied on a pallet with stretch wrapping, all the plastic wrapping should be removed and the pallet left in a shaded or covered position out of direct sunlight until the tiles are installed.

SEALING

As supplied, the wood tiles do not have any sealer or decking oil applied to the surface. However a wax is applied at the ends of the slats to minimize slight cracking or checking. An Ipe wax or edge sealant must be applied to any cut edges of the Ipe to prevent warping and cracking from moisture. Be careful not to apply any sealant to the visible surface of the tile as it may create a visible stain.

We always recommend applying a high quality hardwood oil sealer to the top surface of the tiles as soon as practical after installation which can not only reduce the rate of fading but can to some extent help to mitigate loss of moisture on the top of the wood slats which can minimize small cracking and splitting. Note that a small amount of cracking and splitting can be expected as part of the natural weathering process.

MAINTAINING TILE COLOR

The rate at which the wood color fades depends largely on the degree of exposure to direct sunlight, the climatic conditions and the frequency at which any preservative treatments are applied (ie: Ipe tiles will fade naturally to a silvery grey color if exposed to UV in sunlight).

To slow this natural fading effect and to keep the appearance of the tiles in their optimum condition, as soon as convenient after installing the tiles, we strongly recommend a good quality decking oil is applied with a brush or roller. Decking oils which contain trans-oxide pigments or other proprietary UV absorbing or reflecting compounds and have a high solids content are preferred for longer term results and extended periods between applications of the decking oil/sealant. These specialized products will help maximize the durability, beauty and value of your deck tiles and assist in maintaining the original wood color as long as possible. Some proprietary products will also provide additional protection against mold and mildew.

PERIODIC CLEANING

From time to time, it may be necessary to use a commercial cleaning product to both clean the surface of the deck and kill mold spores. Deck brightening products may also be used, providing you carefully test the product in an inconspicuous area to ensure that it will achieve the results you require.

PRESSURE WASHING

A pressure washer may also be used to remove any built-up of dirt, mold or mildew from the surface of the tiles. Although Ipe wood is an exceptionally hard and dense species, we recommend that you first test the pressure washing on an inconspicuous area. Pressure wash very lightly with the tip of the washer at least 12" from the paver.

