

# SPECIFICATIONS

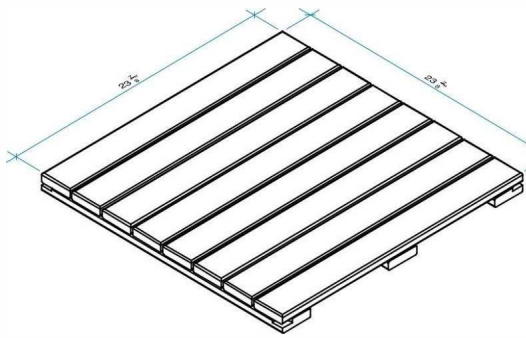


**skydeck**  
**— Usa —**  
Rooftop Patios. Simply Done.

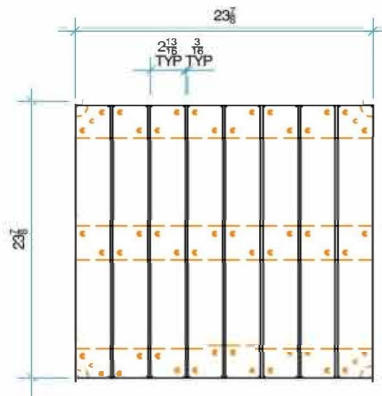
Tile size.....	23 7/8 in x 23 7/8 in
Covered area.....	24 in x 24 in
Tile height.....	1 11/16 in
Wood thickness.....	13/16 in
Slats per tile.....	8
Width of slats.....	2 7/8 in
Slat spacing.....	3/16 in approx.
Ends & sides finish.....	S4SE4E (radius 1/8 in)
Tile weight.....	23.5 lbs (6 lbs/sqft)
Ends/Surface finish.....	Ends waxed with paraffin, surface wood not coated with oil
Common name.....	lpe
Botanical name.....	Tabebuia sp.
Color.....	Typically reddish brown color, but can vary from olive brown to blackish, often with lighter or darker striping
Grain.....	Fine to medium texture, grain always interlocked, sometimes very oily looking
Density @ 12% moisture.....	1050-1180 kg/m <sup>3</sup>
Durability.....	Class A
Fire rating (ASTME108).....	Class A for spread of flame and intermittent flame exposure
Hardness (Janka).....	3680 (very hard)
Resistance to decay and insect attack.....	Resistant to attack by decay, fungi, and termites — Not resistant to marine borers
Modulus of rupture.....	170 MPa
Modulus of elasticity.....	21 GPa
Uniform weight load capacity.....	2,900 lbs per Tile
System dead load.....	8-10 lbs per square foot depending on pedestal height and if bracing is required
Maximum crushing strength.....	94 MPa
Maximum bending strength.....	22,560 psi
Shrinkage.....	7% tangential, 6% radial — 1.2 tangential/radial shrinkage ratio
Slip Resistance.....	Dry: .615FL; Wet: .43FP
Solar Reflectance Index (SRI).....	New: 41; Weathered: 24



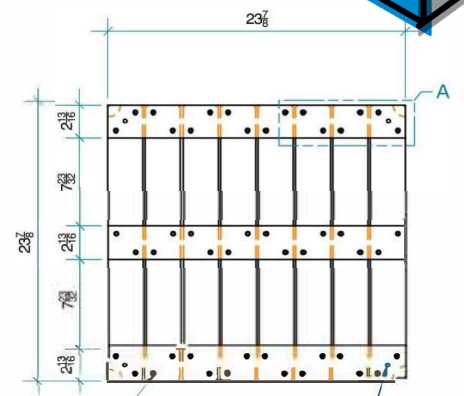
# ipe paver assembly details



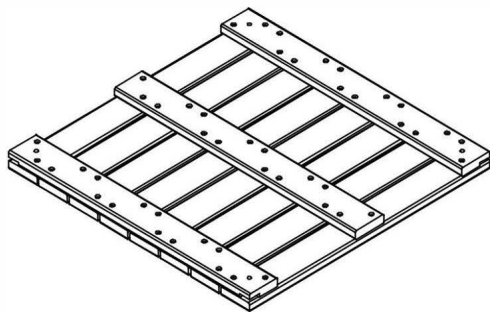
**ISOMETRIC: TOP**



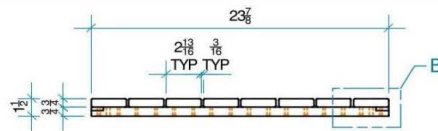
**TOP VIEW**



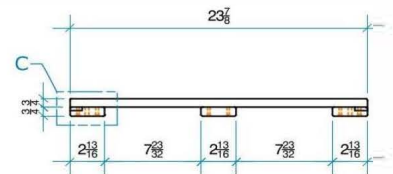
**BOTTOM VIEW**



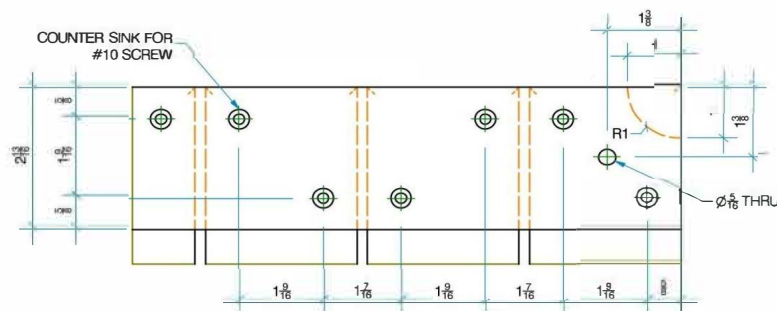
**ISOMETRIC: BOTTOM**



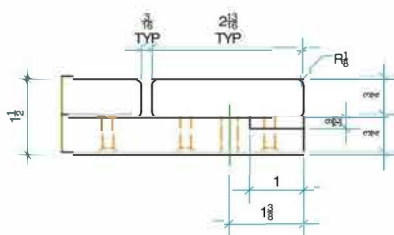
**FRONT VIEW**



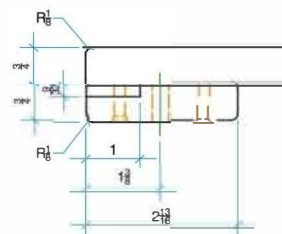
**SIDE VIEW**



**DETAIL A**



**DETAIL B**



**DETAIL C**

