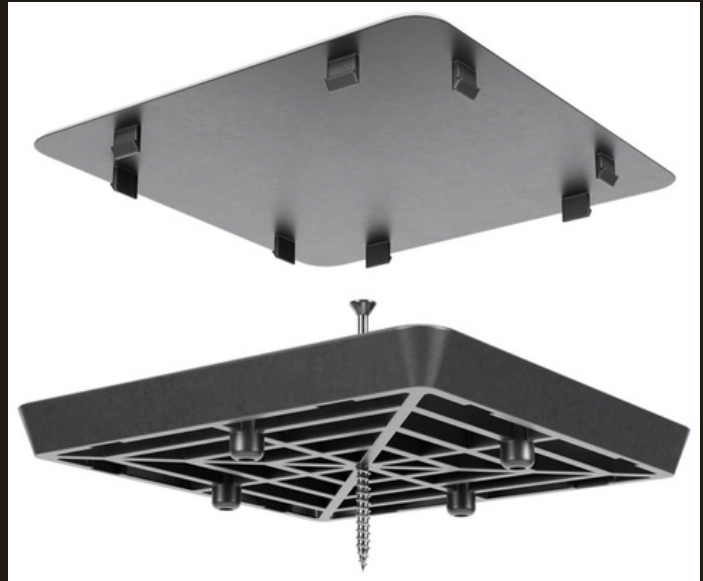


WindStrong™ Paver Restraint System

by Skydeck USA

Engineered Wind Uplift Protection
Elegant. Efficient. Built to Perform.

WindStrong provides tested wind uplift restraint that installs quickly with minimal components — helping reduce installation errors and labor costs for pedestal-supported rooftop paver systems. Available in all SkyWalk concrete paver sizes, colors, and running bond patterns, it delivers wind uplift performance and design flexibility without compromising the finished rooftop aesthetic.



*Wind Uplift
Protection*

*without design
compromise.*



info@skydeckusa.com
skydeckusa.com

502.230.DECK (3325)



WindStrong™ Paver Restraint System

by Skydeck USA

Quick Spec Page

Specifier Summary

WindStrong™ Paver Restraint System

Engineered wind uplift restraint for pedestal-supported rooftop paver systems

WindStrong™ is a tested paver restraint system designed for use with Skydeck USA SkyWalk concrete pavers and SkyJack adjustable pedestals. The system helps secure rooftop pavers against wind uplift while maintaining clean aesthetics, simple installation, and compatibility with multiple paver sizes, colors, and layout patterns.

Basis of Design

Skydeck USA WindStrong™ Paver Restraint System with SkyWalk concrete pavers and SkyJack adjustable pedestals.

Substitutions shall meet or exceed the performance, component compatibility, wind uplift restraint, paver integration, and installation requirements of the specified system and shall be submitted for review prior to approval.

Tested Performance

Test Standard: ASTM E330

Design Pressure Rating: -70 PSF

Safety Factor: Includes 2x safety factor

Application: Pedestal-supported rooftop concrete paver systems

Approved Paver System: SkyWalk concrete pavers with WindStrong-compatible recessed corners

System Components

- SkyWalk concrete pavers with recessed corners
 - WindStrong™ restraint clips
 - Stainless steel fasteners
 - Architectural caps
 - EPDM/rubber base pads
 - SkyJack adjustable pedestals
 - Optional roof protection pads
-

Compatible Applications

WindStrong™ is intended for rooftop paver areas where wind uplift restraint is required and may be used with approved SkyWalk concrete paver sizes, colors, and layouts, including straight bond and running bond patterns.

Design Responsibility Note

Project-specific wind design requirements, perimeter conditions, anchorage requirements, upturned ledger details, and edge restraint conditions shall be reviewed and approved by the project design professional. Skydeck USA does not assume responsibility for project-specific structural design, anchorage design, or code compliance beyond the tested performance of the WindStrong™ system components.

WindStrong™ Paver Restraint System

by Skydeck USA

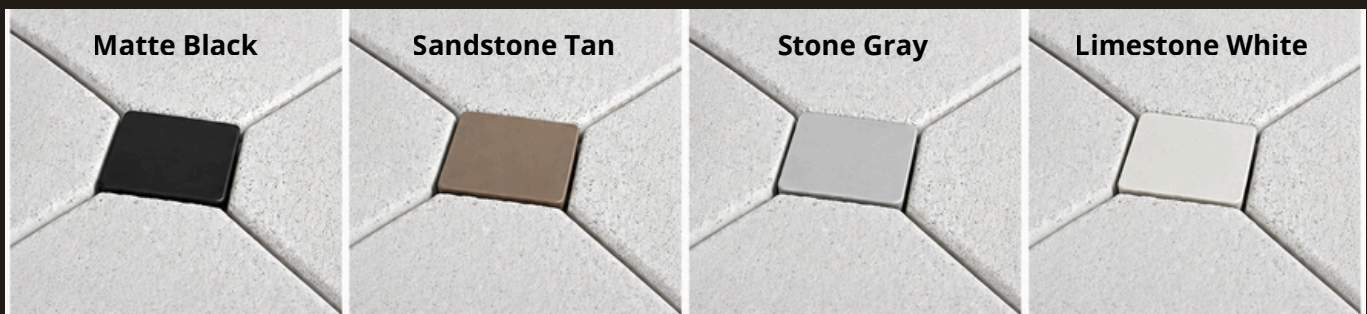
Engineered Wind Uplift Protection.

The Skydeck WindStrong™ system has been **tested** in accordance with **ASTM E330** and *achieved a negative design pressure rating of -70 psf (includes 2x safety factor)*, delivering **secure wind uplift resistance** for pedestal-supported rooftop paver systems.



Elegant. Efficient. Built to Perform.

The Architectural Cap™ is available in **four architectural finishes** designed to blend seamlessly with a wide range of rooftop paver sizes, patterns, and layouts—including *running bond* applications.



info@skydeckusa.com
skydeckusa.com

502.230.DECK (3325)



WindStrong™ Paver Restraint System

by Skydeck USA

KEY ADVANTAGES



SUPERIOR WIND UPLIFT PROTECTION

Tested to -70 psf (ASTM E330)
with 2x safety factor



NO ROOF PENETRATIONS

Preserves roofing membrane



FAST, INTUITIVE INSTALLATION

Minimal components.
Maximum efficiency.



ARCHITECTURAL AESTHETICS

Concealed restraint with
color-matched caps



DESIGN FLEXIBILITY

Supports multiple paver sizes and
patterns, including running bond



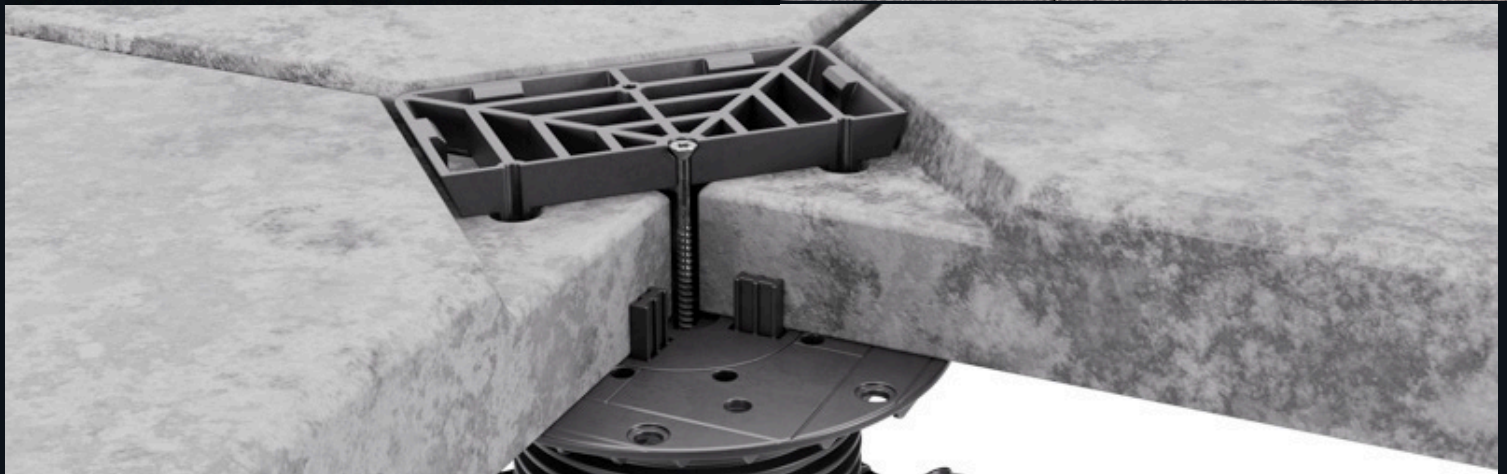
DURABLE, CORROSION-RESISTANT MATERIALS

Built for long-term performance



MAINTAINS DRAINAGE & ACCESSIBILITY

Fully removable and reconfigurable



info@skydeckusa.com
skydeckusa.com

502.230.DECK (3325)



skydeck usa, llc

WindStrong™ Paver Restraint System

Product Diagram

How WindStrong™ works from the rooftop up.

6 ARCHITECTURAL CAP

Color-matched cap snaps into the clip to conceal hardware and deliver a clean, finished look.

5 WINDSTRONG CLIP WITH SCREW

High-strength clip fastened to the paver with a stainless steel screw to lock adjacent pavers together and resist wind uplift.

4 RUBBER BASE PAD

EPDM rubber shim sits in the recessed corner to create a stable seat for the restraint clip.

3 SKYWALK CONCRETE PAVER

High-performance concrete paver with recessed corner designed for WindStrong system compatibility.

2 SKYJACK PEDESTAL

Industry-leading adjustable pedestal integrates the paver with the WindStrong clip for a secure, elevated assembly.

1 PROTECTION PAD (OPTIONAL)

Durable protection pad placed directly on the roofing membrane to provide added membrane protection and provide sound dampening.

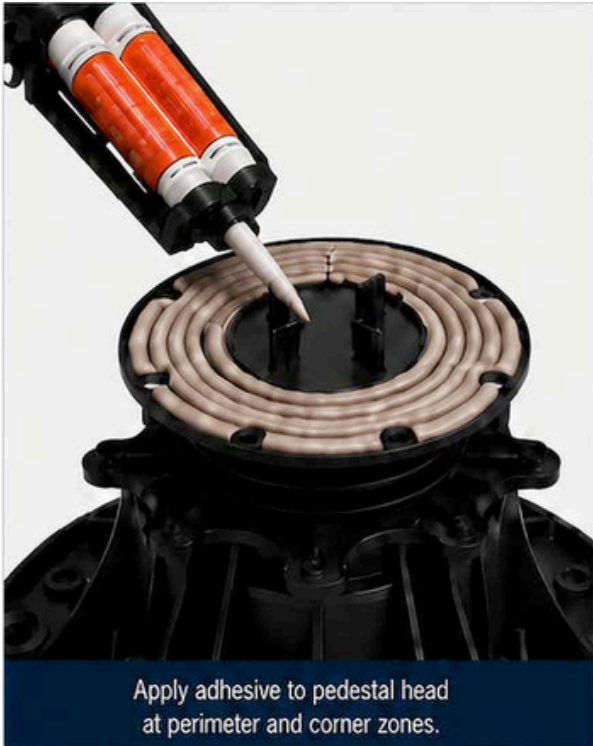
**Optional component*



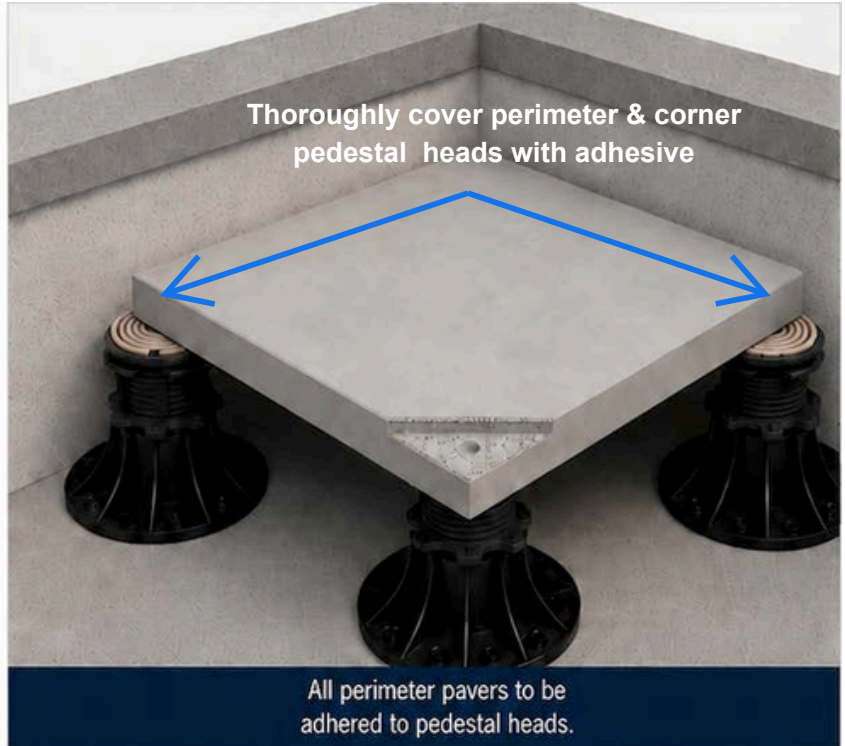
WindStrong™ Paver Restraint System

by Skydeck USA

Rooftop Edge & Corner Zone Details



Apply adhesive to pedestal head at perimeter and corner zones.

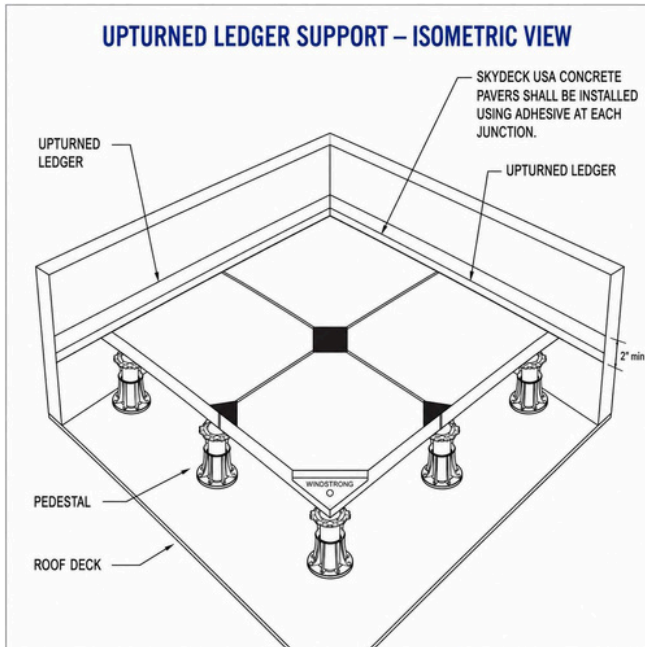


Thoroughly cover perimeter & corner pedestal heads with adhesive

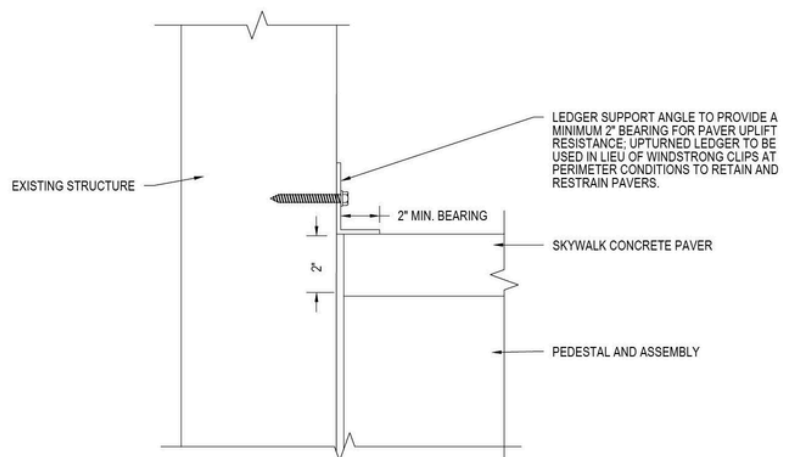
All perimeter pavers to be adhered to pedestal heads.

LEDGER SUPPORT DETAILS for Wind Uplift Restraint

Upturned Ledger Support for Skywalk Pavers



INSTALLATION DETAIL - UPTURNED LEDGER SUPPORT



Note: Ledger anchorage and all associated connections shall be designed and approved by a qualified design professional in accordance with applicable codes and site-specific loading requirements. The upturned ledger support detail is project-specific and has not been included in the ASTM E330 WindStrong system test. Skydeck USA assumes no responsibility for the structural performance, adequacy, or code compliance of the ledger anchorage design or installation.

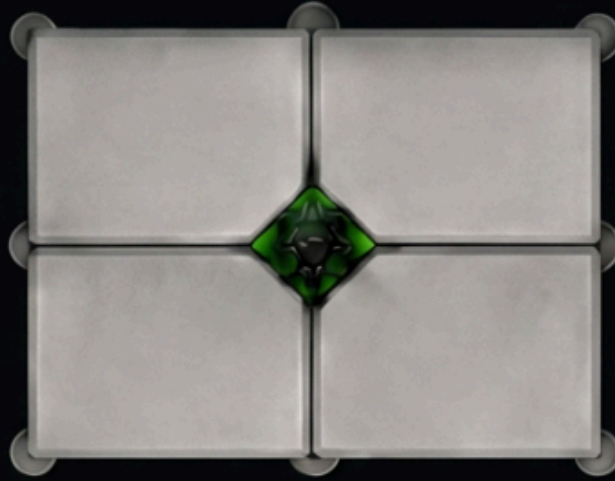
WindStrong™ Clip Placement

Standard clip locations for SkyWalk concrete pavers on SkyJack pedestals

■ WindStrong clip location ● Shared pedestal location — Perimeter adhesive / ledger zone

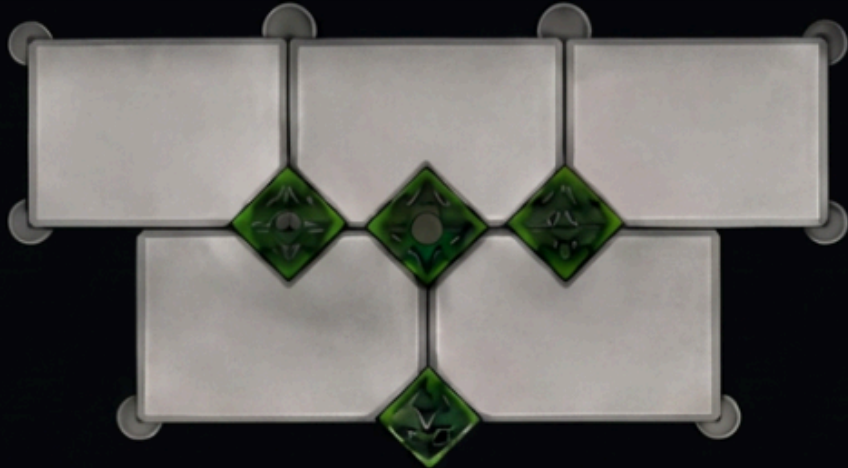
01 Straight Bond

1 clip secures 4 paver corners at 1 shared pedestal.



02 Running Bond

2 clips secure 6 paver corners at 2 shared pedestals.

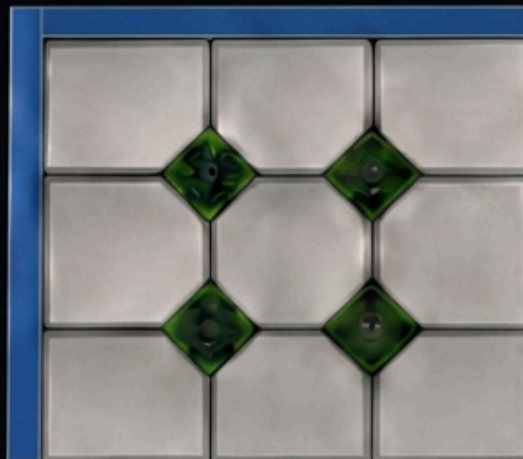


03 Perimeter & Corner Conditions

⊘ No WindStrong clips at perimeter or corner conditions

💧 Use perimeter adhesive

L Use upturned ledger support



← Use perimeter adhesive

No WindStrong clips at perimeter or corners

Perimeter and corner zones are restrained with adhesive and ledger support, not clips.



WindStrong™ Paver Restraint System

by Skydeck USA

TECHNICAL DATA SHEET

- ✓
ASTM E330 TESTED
- 🌀
70 PSF WIND UPLIFT
- ✓
2x SAFETY FACTOR
- ☀️
UV STABILIZED
- 🏠
ROOFTOP RATED

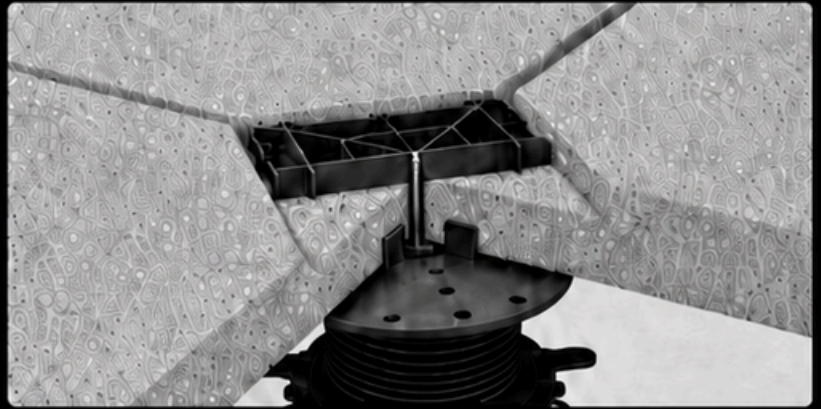
1 ASTM PERFORMANCE TESTING

-70

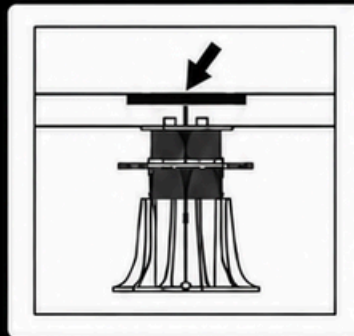
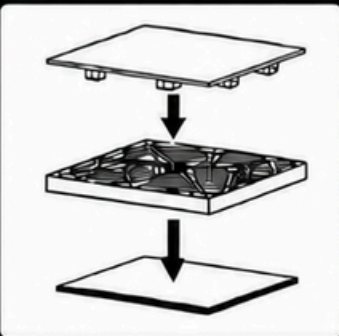
PSF Wind Uplift

ASTM E330 TESTED

Tested in accordance with **ASTM E330** wind uplift test value — **70 PSF**, includes a **2x safety factor** for pedestal-supported concrete paver assemblies.



2 SYSTEM COMPONENTS



- 1 **Architectural Cap**
 Concealed cover in multiple color options
- 2 **WindStrong Clip & Screw**
 5" x 5" polypropylene clip with 316 SS screw
- 3 **Rubber Base Shim**
 EPDM rubber isolation shim
- 4 **Concrete Paver**
 Recessed corners for clip engagement
- 5 **SkyJack Pedestal**
 Adjustable height pedestal base
- 6 **Optional Protection Pad**
 Thin rubber pad – membrane protection layer

3 ALLOWABLE CONFIGURATIONS

- Straight bond layout
- Running bond layout
- Compatible with Skydeck concrete pavers in all standard sizes

4 COMPATIBILITY

- Compatible with Skydeck concrete pavers
- Compatible with SkyJack adjustable pedestals
- Compatible with all roofing membranes and waterproofing systems
- Suitable for rooftop pedestal paver applications

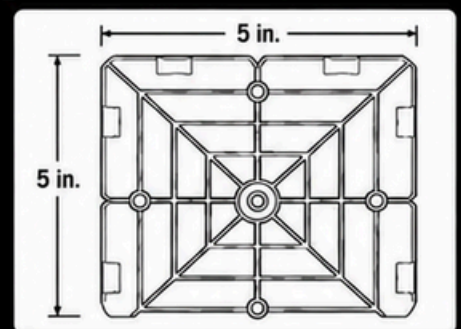
5 FASTENERS & ADHESIVE

- 316 stainless steel #14 x 3.5 in. screws
- Millennium Hurricane Force Universal Sealer Extreme two-part epoxy
- Use manufacturer-recommended application procedures along perimeters

6 DIMENSIONS & SPECIFICATIONS

WindStrong Clip Size	5 in. x 5 in. (127 mm x 127 mm)
Weight	0.29 lb
Wind Uplift Resistance	ASTM E330 — 70 PSF
Temperature Range	-22°F to 200°F
Cap + Plug Material	Polypropylene
Base Shim Material	EPDM Rubber
UV Stabilized	Yes

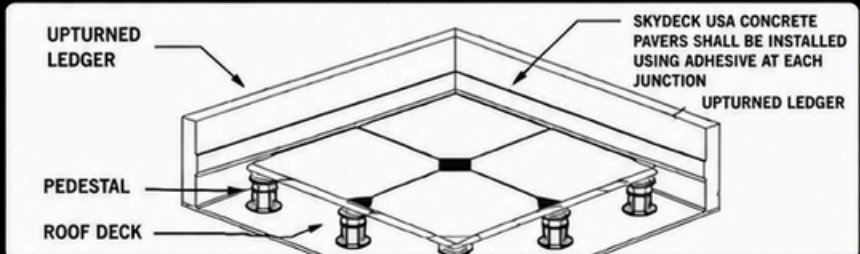
ARCHITECTURAL CAP COLORS



7 ENGINEERING NOTES

- ⚠️
 Perimeter adhesive and ledger are highly recommended but are not wind uplift tested.
- ⚠️
 Final anchorage and system design should be reviewed by a qualified design professional.
- ✓
 Verify compatibility with roof assembly, substrate, and membrane manufacturer requirements.
- 🔧
 Do not over tighten the restraint screw.

8 UPTURNED LEDGER DETAIL



WindStrong™ Paver Restraint System

by Skydeck USA

Fast, Intuitive Installation Steps



1

Set Pedestal

Set pedestal on the roof and adjust to height. Use our drill bit adjustment tool to quickly make larger height adjustments. Twist the wingnut on the pedestal for smaller adjustments.



2

Add Round Shims

Add round shims as needed so paver corners are flush. Shims can be torn apart and placed on whichever corners need them.



3

Set Pavers

Set pavers on the pedestals and ensure they are level and square. Add shims and adjust pedestal accordingly.



Installation Tip – Wait to install the WindStrong clips until you've installed all of the pavers, ensured they are level and fixed all the rockers.



info@skydeckusa.com
skydeckusa.com



502.230.DECK (3325)



skydeck usa, llc

WindStrong™ Paver Restraint System

by Skydeck USA

Installation Steps (continued)



4

Add Base Shim

Place base shim on top of recessed corner of pavers.



5

Add WindStrong™ Clip

Add WindStrong clip and fasten into pedestal with securing screw.

Do not over-tighten.



6

Snap on Architectural Cap

Snap the Architectural Cap into place.



info@skydeckusa.com
skydeckusa.com



502.230.DECK (3325)



skydeck usa, llc

WindStrong™ Paver Restraint System

by Skydeck USA

Quick Spec Checklist

What the Architect Needs to Select:

- Paver size (see chart on [page 14](#))
- Paver color(s) (see [pages 12 and 13](#)); or state that the color will be chosen from skydeck's full line of color options
- Bond pattern (straight bond or running bond)
- Architectural cap color (see [page 3](#): matte black, sandstone tan, stone gray or limestone white); or state that the cap color will be chosen from skydeck's full line of color options.
- Pedestal height range: WindStrong™ may be used with SD-M pedestals or taller. Select the required SkyJack pedestal height range based on project conditions. For pedestal heights over 21.75", include the SkyHeights Pedestal Bracing System. See pedestal overview on [pages 17–21](#) and pedestal detail pages [23–32](#).
- Required design wind pressure: Provide project-specific field, perimeter, and corner-zone pressures, or confirm that the tested WindStrong assembly rating of -70 psf with 2x safety factor is sufficient for the project.
- Edge/corner-zone condition: will adhesive be sufficient or does an upturned ledger need to be installed as well? [See page 6 for details.](#)

Required Submittals

- Product data
- ASTM E330 test summary
- Paver samples in color(s) selected
- Layout/shop drawings showing WindStrong clip locations, pedestal heights and paver layout
- Project engineer review of wind design and perimeter/ledger conditions

*****For full CSI specification, use 07 76 00 beginning on page 65**

Basis of Design - Short Form Specification

Skydeck USA WindStrong™ Paver Restraint System with SkyWalk concrete pavers and SkyJack adjustable pedestals. System shall include WindStrong-compatible recessed concrete pavers, WindStrong restraint clips, stainless steel securing screws, EPDM/rubber base pads, Architectural Caps, and compatible SkyJack adjustable pedestals. System shall be tested in accordance with ASTM E330 and achieve a negative design pressure rating of -70 psf, including a 2x safety factor, for the tested assembly.

WindStrong™ Paver Restraint System

by Skydeck USA

Pressed Concrete Options



Tier 1 - Standard Diamond Cut Gray



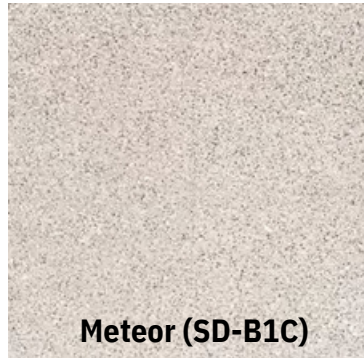
Tier 2 - Standard Color Aggregates



Almond (SD-37C)



Ginger (SD-15C)



Meteor (SD-B1C)



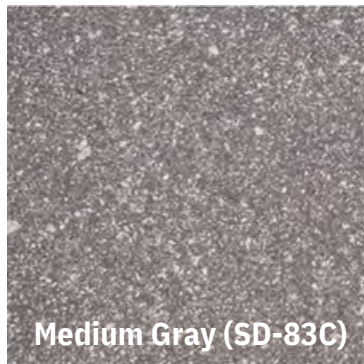
Wheat (SD-21C)



Light Gray (SD-56C)



Speckled Gray (SD-57C)



Medium Gray (SD-83C)



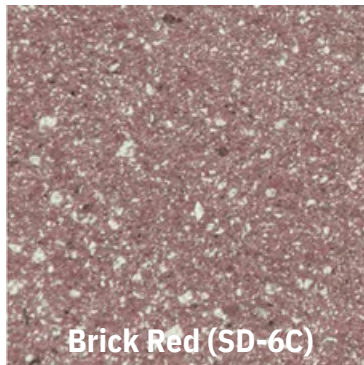
Monument (SD-85C)



Dark Gray (SD-90C)



Salmon (SD-22C)



Brick Red (SD-6C)



Speckled Brick (SD-30C)

WindStrong™ Paver Restraint System

by Skydeck USA

Pressed Concrete Options



Tier 2 - Standard Color Aggregates Cont'd



Gold Rush (SD-60C)



Moon Rock (SD-7114C)

Tier 3 - Premium Color Aggregates



Poolside Retreat (SD-89D)



Lakeshore (SD-91D)



Scottsdale (SD-94D)



Cloud (SD-1002D)

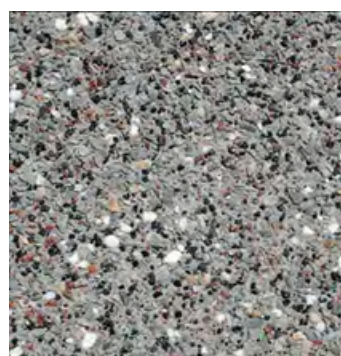
Tier 4 - Custom Color Aggregates



Arctic White (SD-11609)



Black (SD-80E)



Stoney Creek (SD-52609E)



Downtown Brown (SD-DBE)

WindStrong™ Paver Technical Data

by Skydeck USA

Property **Value** **Test Methods**

Pavers *Hydraulically Pressed Pavers* **ASTM C936**

Composition *Aggregates & Cement
Limestone, Water, Sand
No Chemicals or Agents* **ASTM C936**

Unit Weight *90 pounds* **ASTM C936**

Concrete Properties

Compressive Strength (minimum) *8,500 psi* **ASTM C140/C1491**

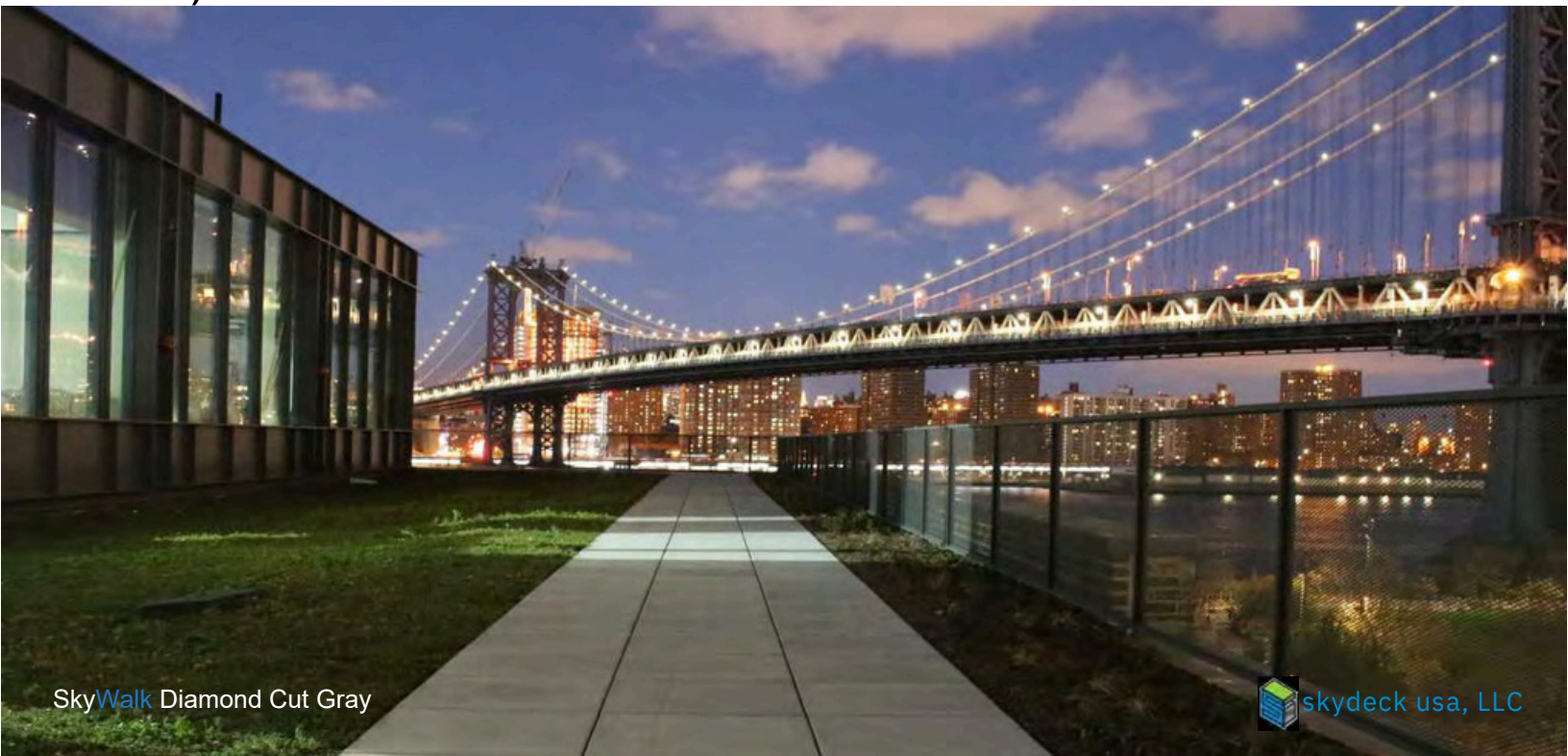
Flexural Strength (minimum) *1,100 psi* **ASTM C140**

Water Absorption (maximum) *Less than 4.1%* **ASTM C140**

Freeze/Thaw Resistance *50 Cycles* **ASTM C67**

Wet DCOF (dynamic coefficient of friction) *.80* **ANSI A137.1**

PAVER SIZE AND THICKNESS OPTIONS		
SIZE	THICKNESS	
ACTUAL SIZE	MINIMUM	MAXIMUM
11-3/4" x 11-3/4"	1-1/4"	3"
11-3/4" x 23-1/2"	1-1/4"	3"
11-3/4" x 36"	1-1/2"	3"
12" x 36"	1-1/2"	3"
14-1/2" x 14-1/2"	1-1/2"	3"
14-5/8" x 29-5/8"	1-1/2"	3"
15-3/4" x 15-3/4"	1-1/2"	3"
15-3/4" x 23-5/8"	1-1/2"	3"
17-5/8" x 17-5/8"	1-1/2"	3"
17-5/8" x 23-1/2"	1-1/2"	3"
17-5/8" x 35-3/8"	2"	3"
18" x 18"	1-1/2"	3"
23-1/2" x 23-1/2"	1-1/2"	3"
23-1/2" x 29-1/2"	2"	3"
23-1/2" x 35-3/8"	2"	3"
23-1/2" x 47-1/2"	2.5"	3.5"
23-3/4" x 23-3/4"	1-1/2"	3"
24" x 24"	1-1/2"	3"
29-1/2" x 29-1/2"	2"	3"
29-3/4" x 29-3/4"	2"	3"
35-1/2" x 35-1/2"	2-1/2"	3"
47-1/2" x 47-1/2"	2-1/2"	3.5"



WindStrong™ Paver Restraint System

by Skydeck USA

Concrete Paver SRI Values (Solar Reflectance)

SRI Values for SkyWalk Concrete Paver Colors

Color	SRI Value	% Solar Reflectance
Arctic White (SD-11609)	85	67.1%
Scottsdale (SD-94D)	55	46.9%
Lakeshore (SD-91D)	52	44.7%
Poolside Retreat (SD-89D)	52	47.4%
Wheat (SD-21C)	47	41.0%
Almond (SD-37C)	42	37.4%
Cloud (SD-1002D)	41	35.3%
Monument (SD-85C)	39	35.4%
Light Gray (SD-56C)	38	34.4%
Speckled Gray (SD-57C)	38	34.0%
Brick Red (SD-6C)	36	32.8%
Salmon (SD-22C)	35	32.0%
Ginger (SD-15C)	34	31.2%
Speckled Brick (SD-30C)	34	31.2%
Gold Rush (SD-60C)	34	31.2%
Meteor (SD-B1C)	31	28.7%
Diamond Cut Gray (SD-73A)	29	27.0%
Medium Gray (SD-83C)	24	23.8%
Dark Gray (SD-90C)	17	17.5%



WindStrong™ Paver Restraint System

by Skydeck USA

SkyWalk Paver Maintenance Guide

Routine Maintenance and Care:

A. Remove and replace pavers which are loose, chipped, broken, stained or otherwise damaged. Make sure edge restraints stay intact and are structurally sound.



B. Remove any soiling from exposed paver surfaces, wash and scrub clean.

C. Efflorescence is a naturally occurring white residue or stain that is on the surface of new concrete. The residue will dissipate naturally with time.

D. Joints and drains should be kept clean to protect from water back up.

E. Pavers may be cleaned using a pressure washer. Be sure not to place the hose nozzle too close to the paver as it can cause chipping.

F. If pavers begin to rock due to building settling, use the hand tool to re-level the pavers.

G. Pavers may be cleaned and sealed although we recommend waiting until the efflorescence has worked its way out of the paver prior to sealing.



WindStrong™ Paver Restraint System

by Skydeck USA

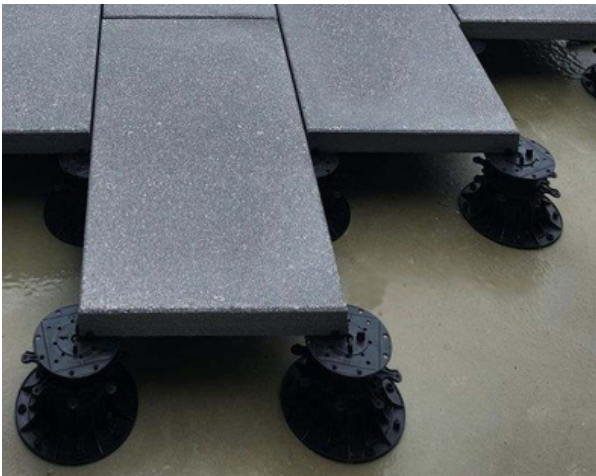
SkyJack Pedestal Support System



intro to pedestals

[Click here to view our pedestals introduction video.](#)

adjustable pedestals compatible with the WindStrong™ Paver Restraint System



SD-M
1.75" - 3"



SD-L
3" - 6"



SD-XL
6" - 13.75"



SD-XL + SD-XL-EXT
13.75" - 21.75"
Add more for heights up to 37.75"

Cut Section View: WindStrong™ Clip Screws into pedestal head



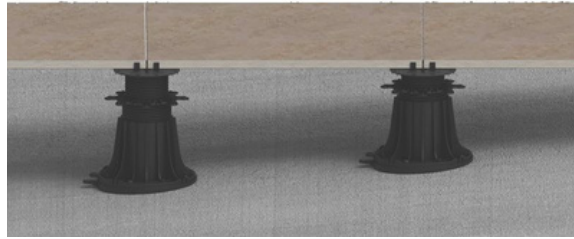
Architectural Cap

WindStrong™
Clip and screw

WindStrong™ Paver Restraint System

by Skydeck USA

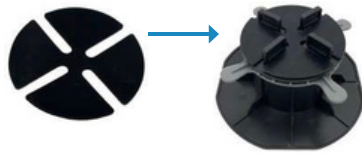
SkyJack Pedestal Support System - Pedestal Accessories



Base Slope Corrector

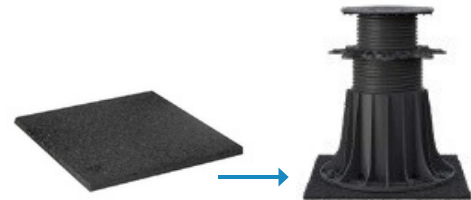
Base slope correctors snap onto the bottom of SD-M, SD-L and SD-XL pedestals.

For accommodating slopes up to 5%.



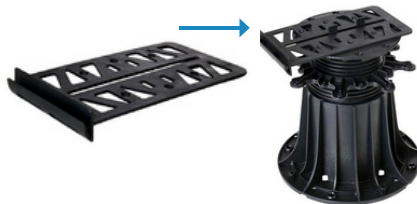
Rubber Shims

Shims provide sound dampening and ensure that the corners of each paver are flush with one another.



Roof Protection Pads

Protection pads dampen sound and protect the waterproofing membrane.



Wall Clips for Perimeter Pedestals

Maintain uniform spacing and stability along walls and edges.



Height Extender Sleeve

8" Extender to add height to SD-XL pedestal. Stack up to 3 extenders for pedestal heights up to 37.75".

Intended Uses:

SKYJACK adjustable pedestals are used to support raised rooftop terraces to create level patios on top of roofs that slope up to 5% turning once-wasted rooftop space into a showcase space for the building.

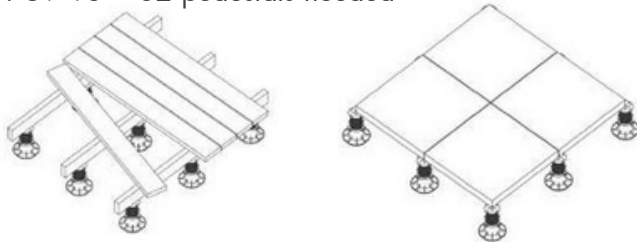
SKYJACK adjustable pedestals can also help eliminate more expensive patio supports like steel or wood frames with a weight bearing capacity of up to 2,150 lbs. per pedestal.

Application:

SKYJACK pedestals are uniquely designed to achieve perfectly level patios with the easy twist of our screw ring. Set up your laser level, place pavers or decking on top of the pedestals and twist until level. Simple, easy and perfect results every time.

Calculating # of Pedestals [\(click here for an automatic product calculator\)](#)

1. Calculate the total # of pavers (ie - 46 pavers)
2. Calculate the total # of pavers needed around the perimeter and divide by the width of the paver (typically 2') (ie - 26 - 2'x2' pavers, so $26/2 = 13$)
3. Add the totals together ($46 + 13 = 59$)
4. Add 5% for waste ($59 * .05 = 2.95$)
5. $59 + 3 = 62$ pedestals needed



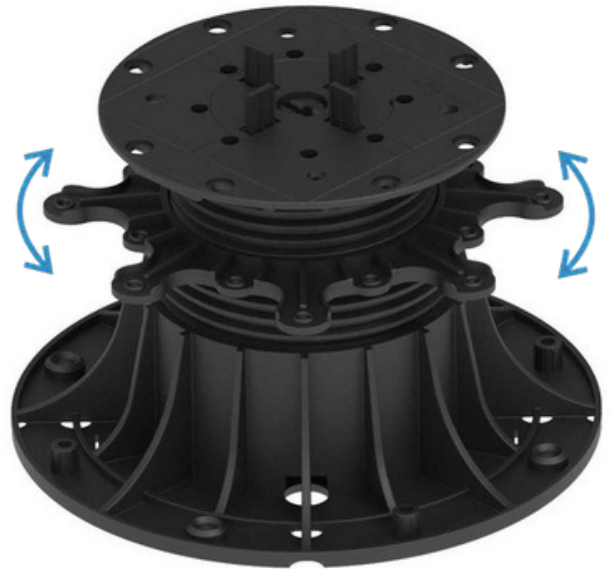
****SKYJACK pedestals can be used with any size or shaped materials including decking and concrete pavers.**

NOTE:

WindStrong™ paver restraint system may only be used on **SD-M** pedestals or taller.

by skydeck usa

pedestal head
5-11/16"



base plate diameter
8.25"

- 1 wide, stable base
- 2 screw ring for height adjustment
- 3 head with screw
- 4 removable spacer tabs

Material: Fully Recyclable High Density Copolymer Polypropylene (HDCCPP)



Temp. Range:

-22 to 200 degrees Fahrenheit

Weight Capacity:

2,150 lbs per pedestal

Atmospheric Conditions:

Resistant to UV Radiation, Aging and Decay



SD-M

SD-L

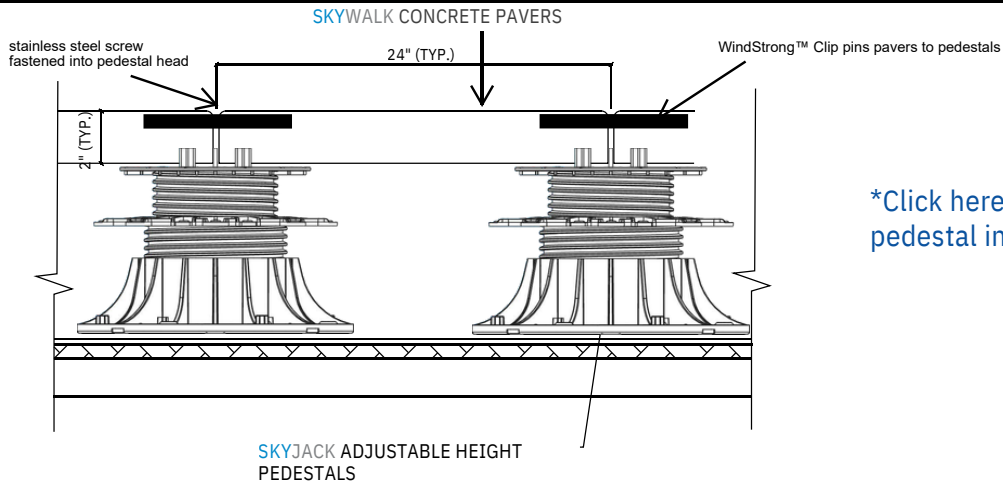
SD-XL

SD-XL-EXT

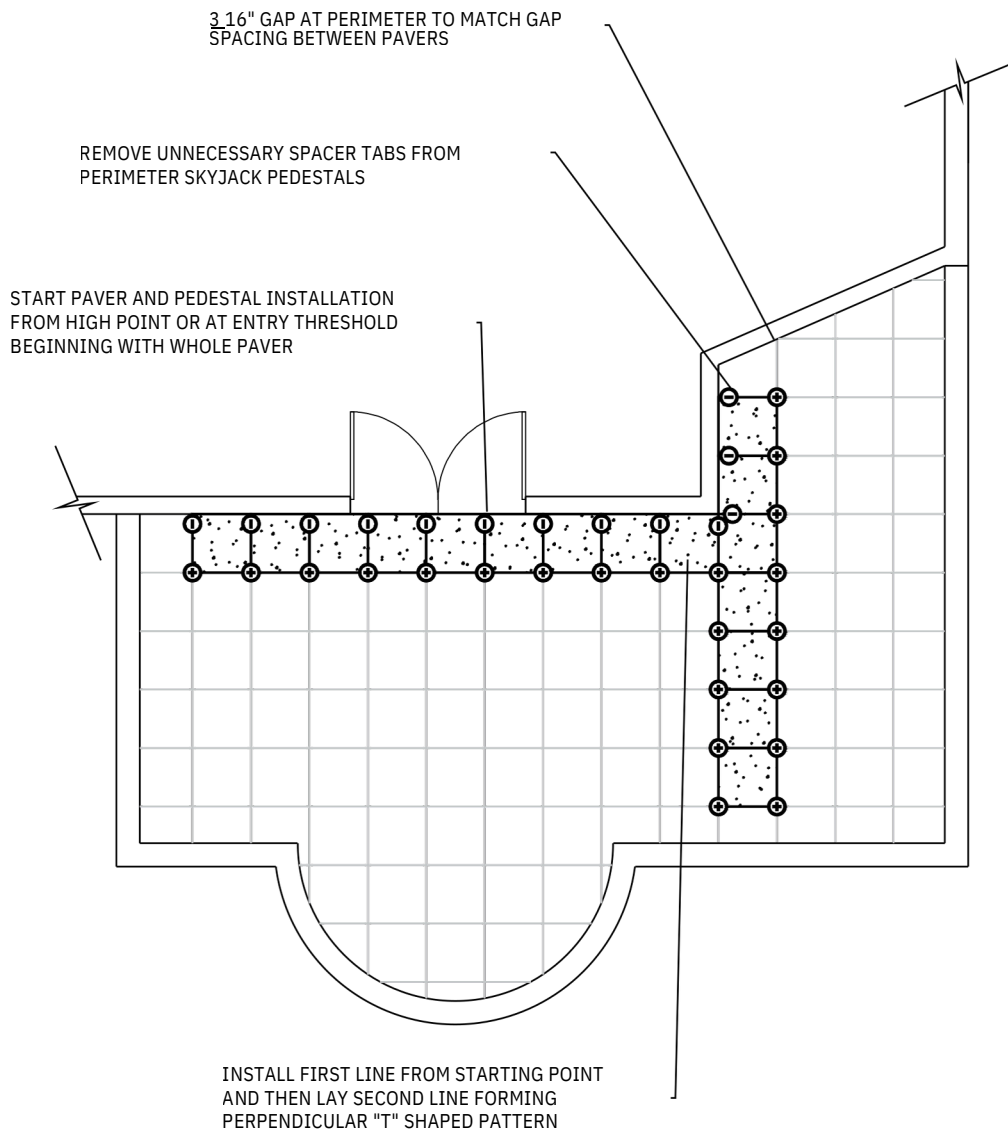
WindStrong™ Paver Restraint System

by Skydeck USA

SkyJack Pedestal Installation with WindStrong™ Clips



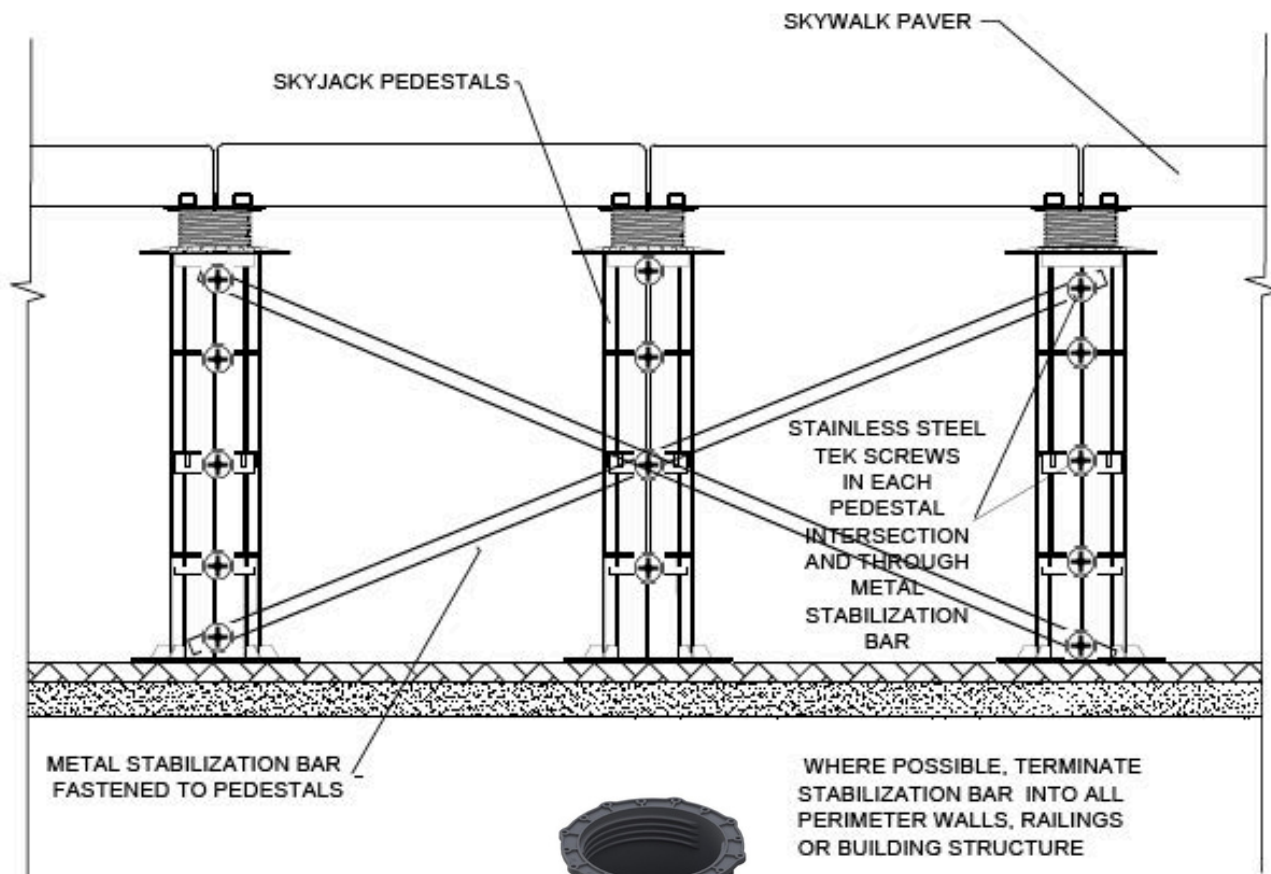
[*Click here to view our pedestal installation video](#)





skydeck
— Usa —

SkyHeights Pedestal System
Required for pedestal heights over
21.75" and up to 37.75" tall



Extruded aluminum with mill finish
0.050" Thick X 1" Wide X 10' Long



8" Extender
Sleeve

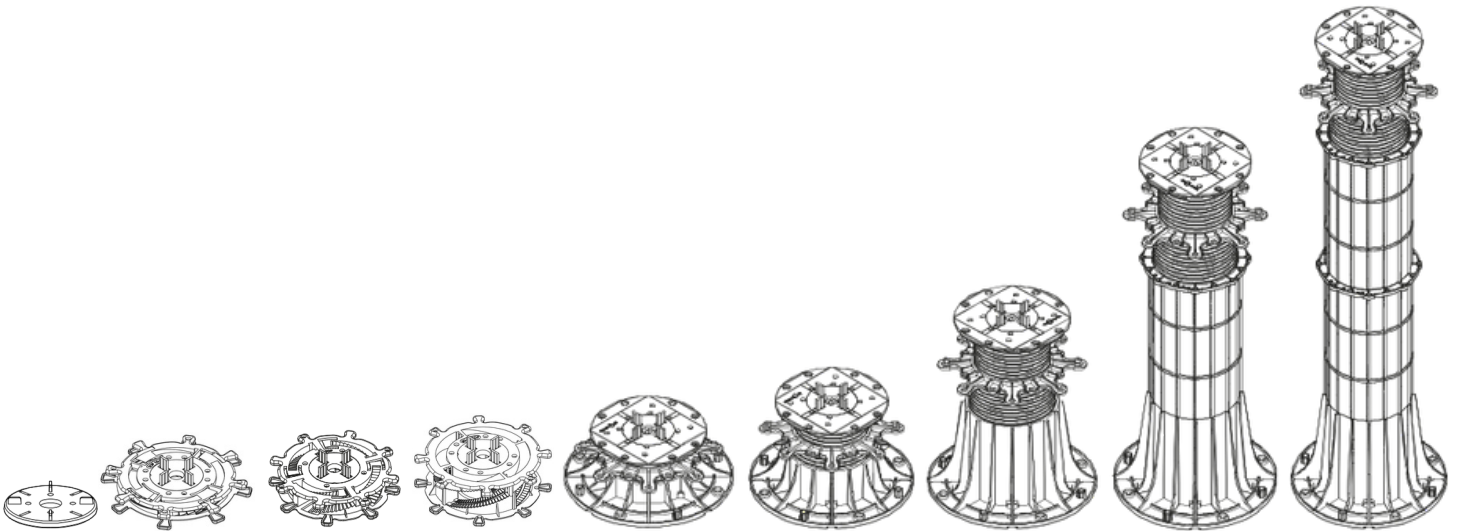


18-8 Stainless
Steel Screws



SKYJACK PEDESTALS

ADJUSTABLE PEDESTAL SYSTEM by SKYDECK USA



ADJUSTABLE HEIGHT PEDESTALS ***FOR ELEVATING ALL VARIETIES AND LOCATIONS OF TERRACE DECKING***

Supporting SkyJack Pedestal Detail Manual

The following pages provide supplemental pedestal component details for use with WindStrong-compatible SkyJack pedestal assemblies. WindStrong may only be used with SD-M pedestals or taller.



Adjustable Pedestal System by SKYDECK USA



SD-M Pedestal Adjusts from 1.75" - 3"

SD-L Pedestal Adjusts from 3" - 6"

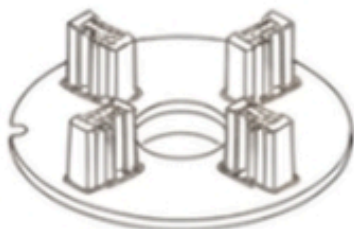
SD-XL Pedestal Adjusts from 6" - 13.75"



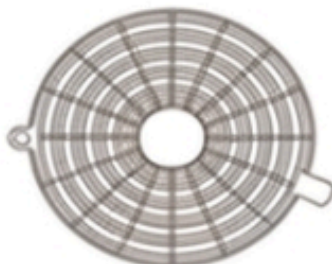
SD-XL-EXT Height Extender Sleeve adds 8" of height to the SD-XL pedestals. Stack them to build pedestals up to 37.75".



SD-XL-SH2 Rubber shims are 1/16" thick and are added to the top of the pedestals for sound dampening and creating flush paver corners.



Gap Spacers snap onto the pedestal head to create uniform 3/16" gaps between pavers. They are also available in 1/8" upon request.



SD-BSC Base Slope Correctors snap onto the pedestal base to compensate for roof slopes up to 5%. They are required for slopes greater than 1/4" per foot and for pedestal assemblies 21.75" or taller so tall pedestals remain plumb and the paver load is transferred more evenly through the pedestal head.



skydeck
— usa —

ADJUSTABLE PEDESTAL

SD-M

SKYJACK PEDESTALS

Adjustable Pedestal System by SKYDECK USA

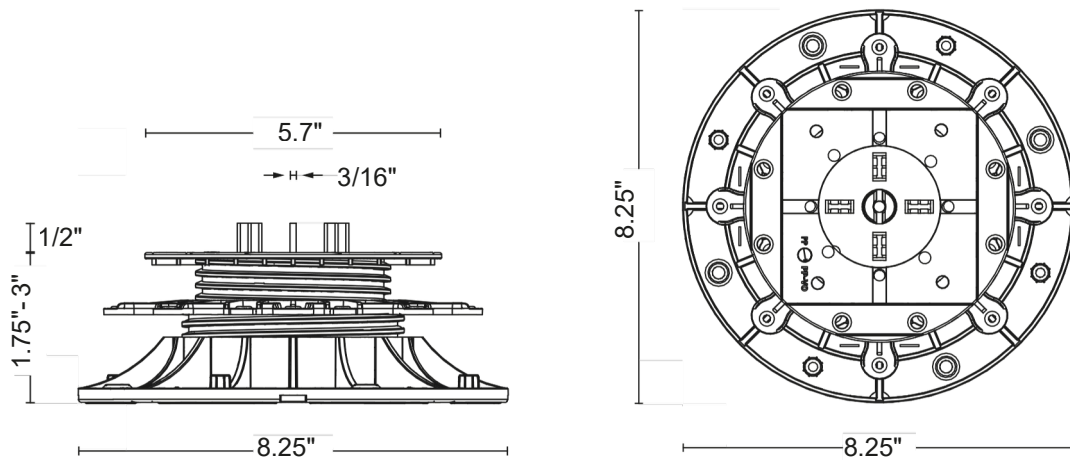
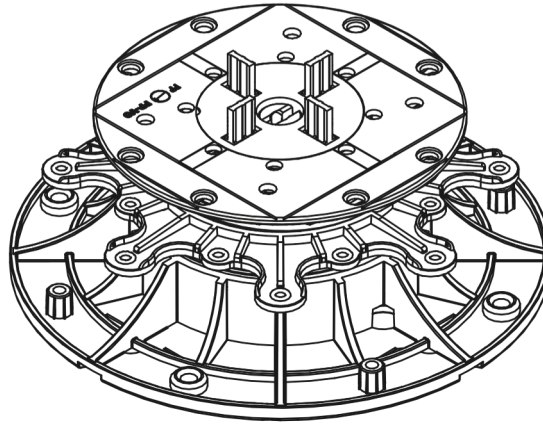
www.skydeckusa.com
info@skydeckusa.com

ADJUSTABLE PEDESTAL 1.75" - 3"

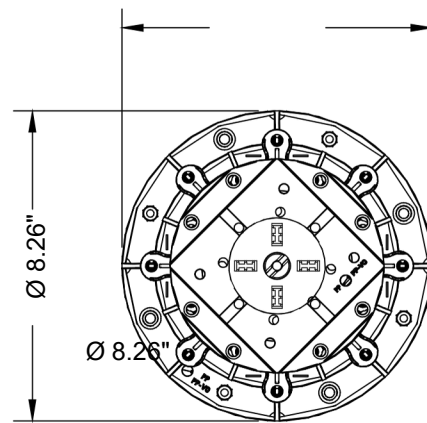
The SKYJACK ADJUSTABLE PEDESTAL SYSTEM offers varying height ranges between 5/8" - 13.75"

Pedestal Components: BASE - SCREW RING - SCREW - SPACER TAB

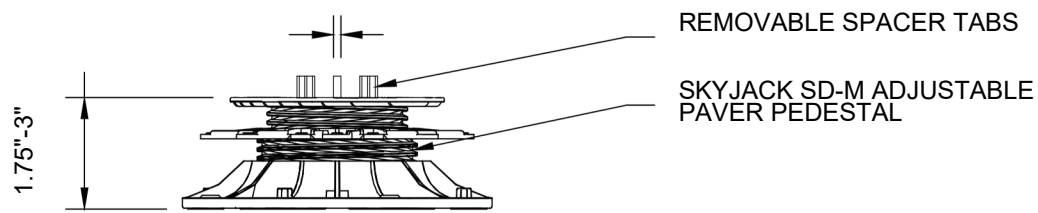
SKYJACK ADJUSTABLE PEDESTALS allow for easy and efficient height adjustments and leveling of raised terraces. The width of the pedestal base provides sufficient stability for all construction.



SKYJACK ADJUSTABLE PEDESTAL SD-M

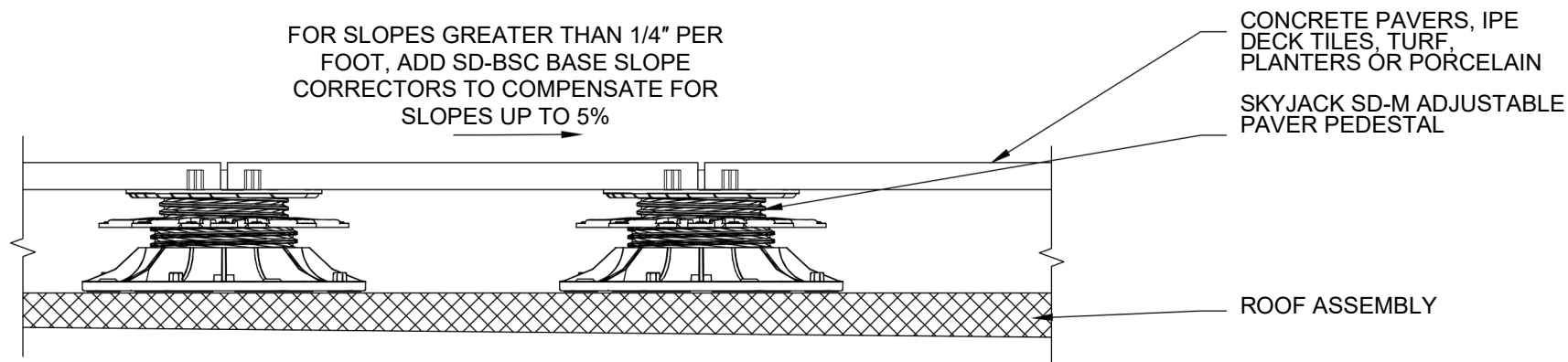


PLAN VIEW



3/16"

FRONT ELEVATION SD-M WITH TOP PLATE



INSTALLATION DETAIL
TYPICAL PEDESTAL APPLICATION

SPECIFICATIONS	
MATERIAL	FULLY RECYCLABLE HIGH DENSITY COPOLYMER POLY PROPYLENE (HD CPP)
TEMP. RANGE	-22 to 200 DEGREES FAHRENHEIT
WEIGHT CAPACITY	2,150 LBS PER PEDESTAL

NOTES:
- BOX CONTENTS: ONE FULLY ASSEMBLED SD-M ADJUSTABLE PAVER PEDESTAL WITH 3/16" GAP SPACERS*. 54 PCS PER BOX.
 * 1/8" GAP SPACERS ARE AVAILABLE UPON REQUEST

ADJUSTABLE PAVER PEDESTAL
 SKYJACK: PEDESTAL SD-M (1.75"-3")

DWG. NO.	DATE: 6/20/25
SHEET	





skydeck
— usa —

ADJUSTABLE PEDESTAL

SD-L

SKYJACK PEDESTALS

Adjustable Pedestal System by SKYDECK USA

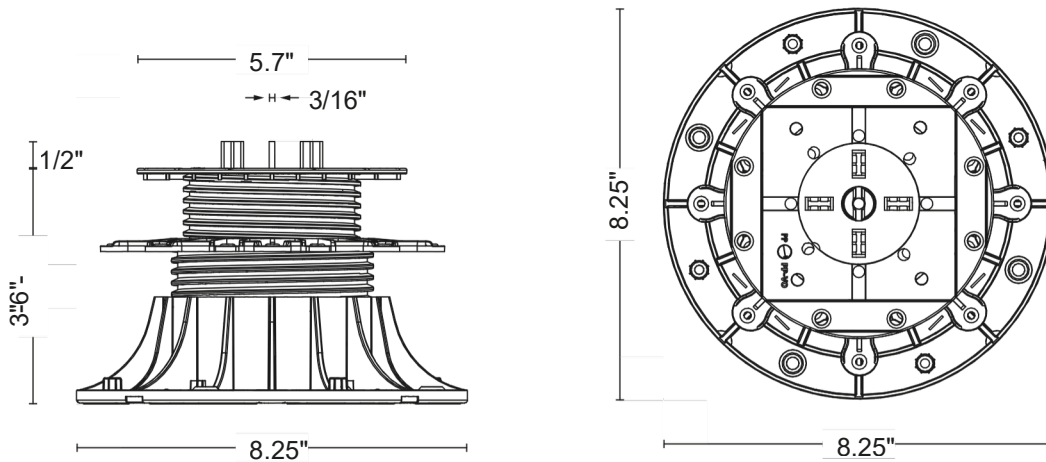
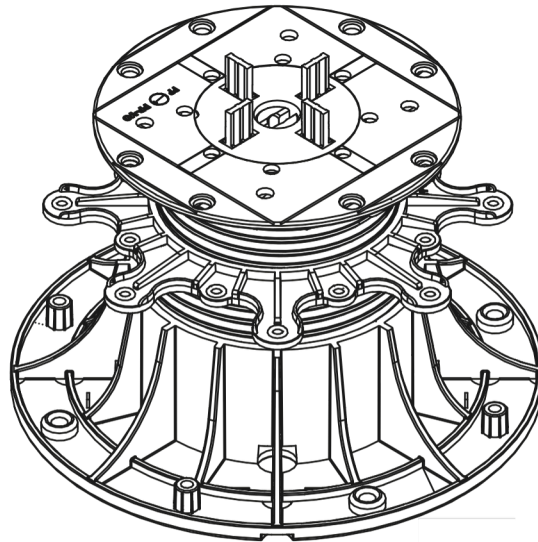
www.skydeckusa.com
info@skydeckusa.com

ADJUSTABLE PEDESTAL 3" - 6"

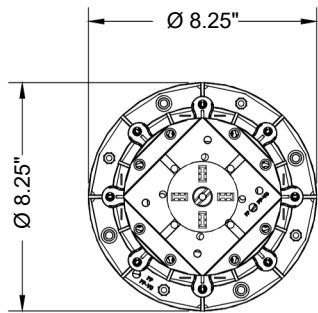
The SKYJACK ADJUSTABLE PEDESTAL SYSTEM offers varying height ranges between 5/8" - 13.75"

Pedestal Components: BASE - SCREW RING - SCREW - SPACER TAB

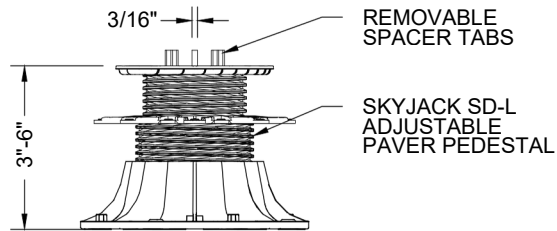
SKYJACK ADJUSTABLE PEDESTALS allow for easy and efficient height adjustments and leveling of raised terraces. The width of the pedestal base provides sufficient stability for all construction.



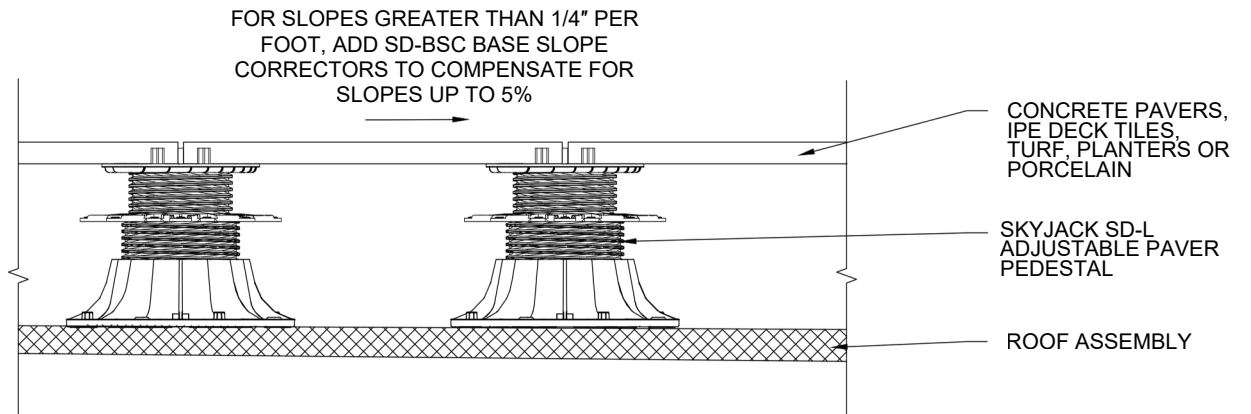
SKYJACK ADJUSTABLE PEDESTAL SD-L



PLAN VIEW



FRONT ELEVATION
SD-L WITH TOP PLATE



INSTALLATION DETAIL
TYPICAL PEDESTAL APPLICATION

SPECIFICATIONS		NOTES:
MATERIAL	FULLY RECYCLABLE HIGH DENSITY COPOLYMER POLY PROPYLENE (HDCPP)	- BOX CONTENTS: ONE FULLY ASSEMBLED SD-L ADJUSTABLE PAVER PEDESTAL WITH 3/16" GAP SPACERS*. 36 PCS PER BOX. * 1/8" GAP SPACERS ARE AVAILABLE UPON REQUEST
TEMP. RANGE	-22 to 200 DEGREES FAHRENHEIT	
WEIGHT CAPACITY	2,150 LBS PER PEDESTAL	

ADJUSTABLE PAVER PEDESTAL
SKYJACK: PEDESTAL SD-L (3"-6")

DWG. NO.	DATE: 6/20/25
SHEET	BY:





ADJUSTABLE PEDESTAL

SD-XL

SKYJACK PEDESTALS

Adjustable Pedestal System by SKYDECK USA

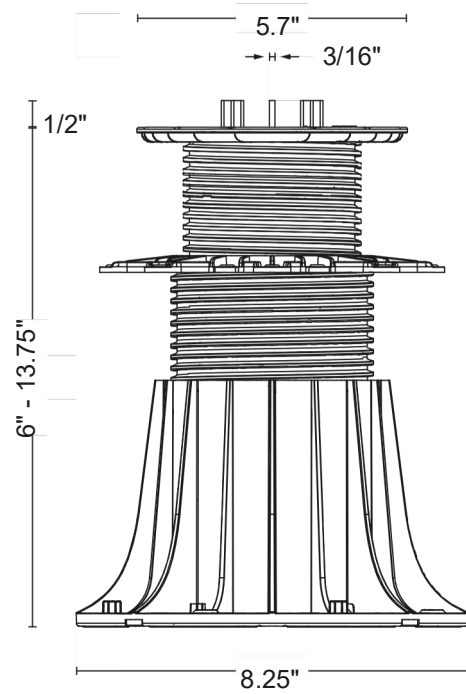
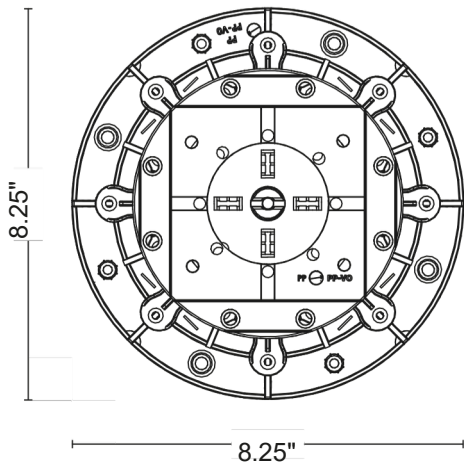
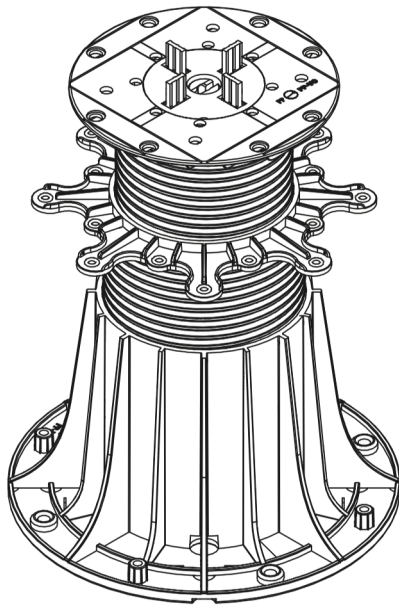
www.skydeckusa.com
info@skydeckusa.com

ADJUSTABLE PEDESTAL 6" - 13.75"

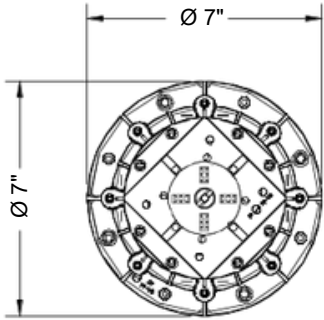
The SKYJACK ADJUSTABLE PEDESTAL SYSTEM offers varying height ranges between 5/8" - 13.75"

Pedestal Components: BASE - SCREW RING - SCREW - SPACER TAB

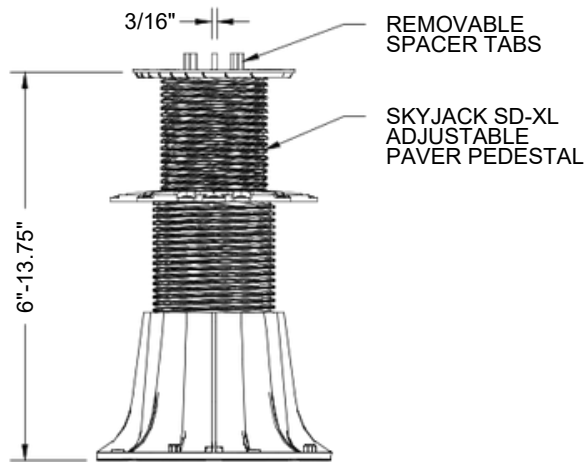
SKYJACK ADJUSTABLE PEDESTALS allow for easy and efficient height adjustments and leveling of raised terraces. The width of the pedestal base provides sufficient stability for all construction.



SKYJACK ADJUSTABLE PEDESTAL SD-XL

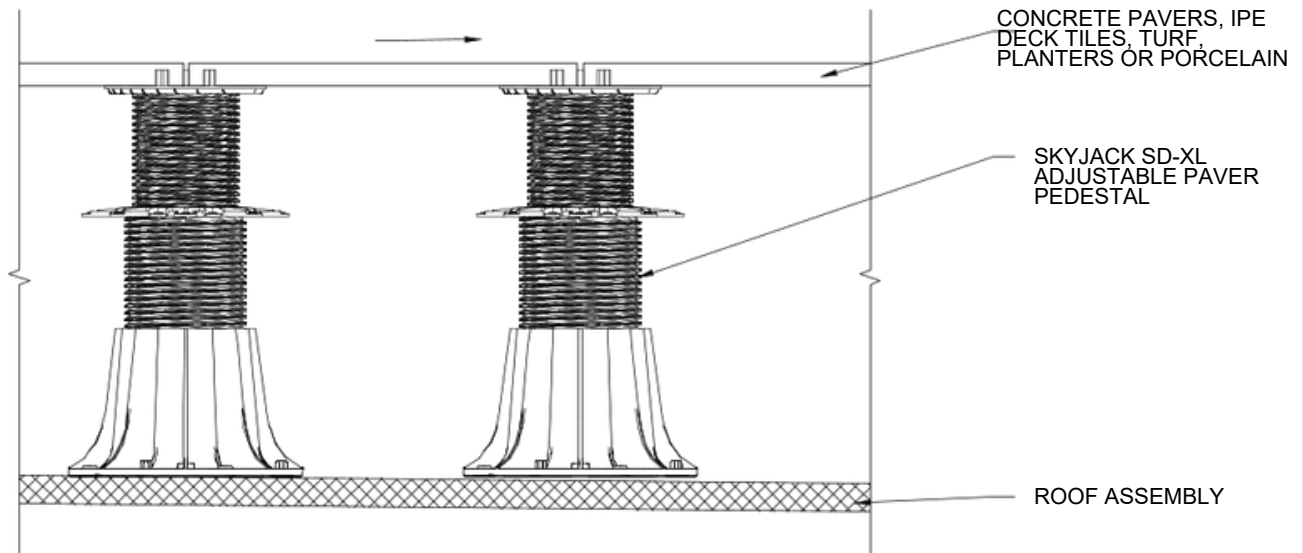


PLAN VIEW



FRONT ELEVATION
SD-XL WITH TOP PLATE

FOR SLOPES GREATER THAN 1/4" PER FOOT, ADD
SD-XL-SLH SELF-LEVELING HEADS TO COMPENSATE
FOR SLOPES UP TO 5%



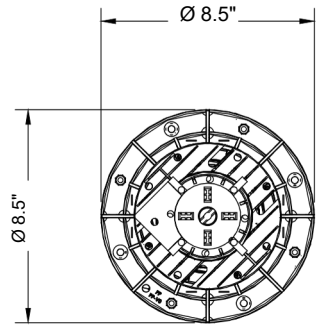
INSTALLATION DETAIL
TYPICAL PEDESTAL APPLICATION

SPECIFICATIONS		NOTES:
MATERIAL	FULLY RECYCLABLE HIGH DENSITY COPOLYMER POLY PROPYLENE (HD CPP)	- BOX CONTENTS: ONE FULLY ASSEMBLED SD-XL ADJUSTABLE PAVER PEDESTAL WITH 3/16" GAP SPACERS*. 18 PCS PER BOX.
TEMP. RANGE	-22 to 200 DEGREES FAHRENHEIT	* 1/8" GAP SPACERS ARE AVAILABLE UPON REQUEST
WEIGHT CAPACITY	2,150 LBS PER PEDESTAL	

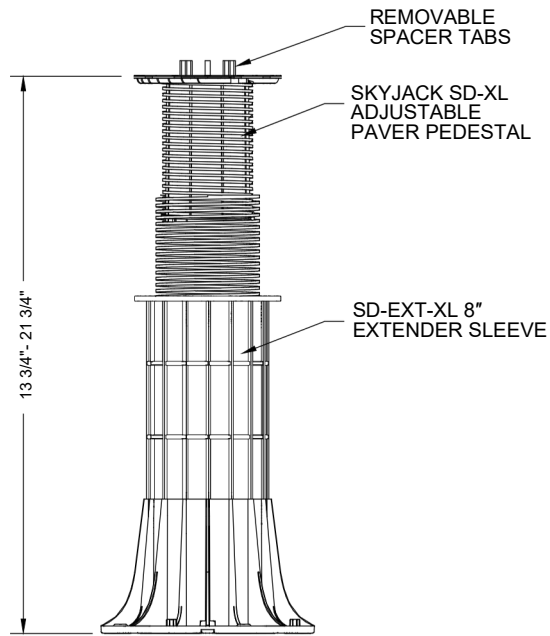
ADJUSTABLE PAVER PEDESTAL

SKYJACK: PEDESTAL SD-XL (6"-13.75")

DWG. NO.	DATE: 6/20/25	
SHEET	BY:	

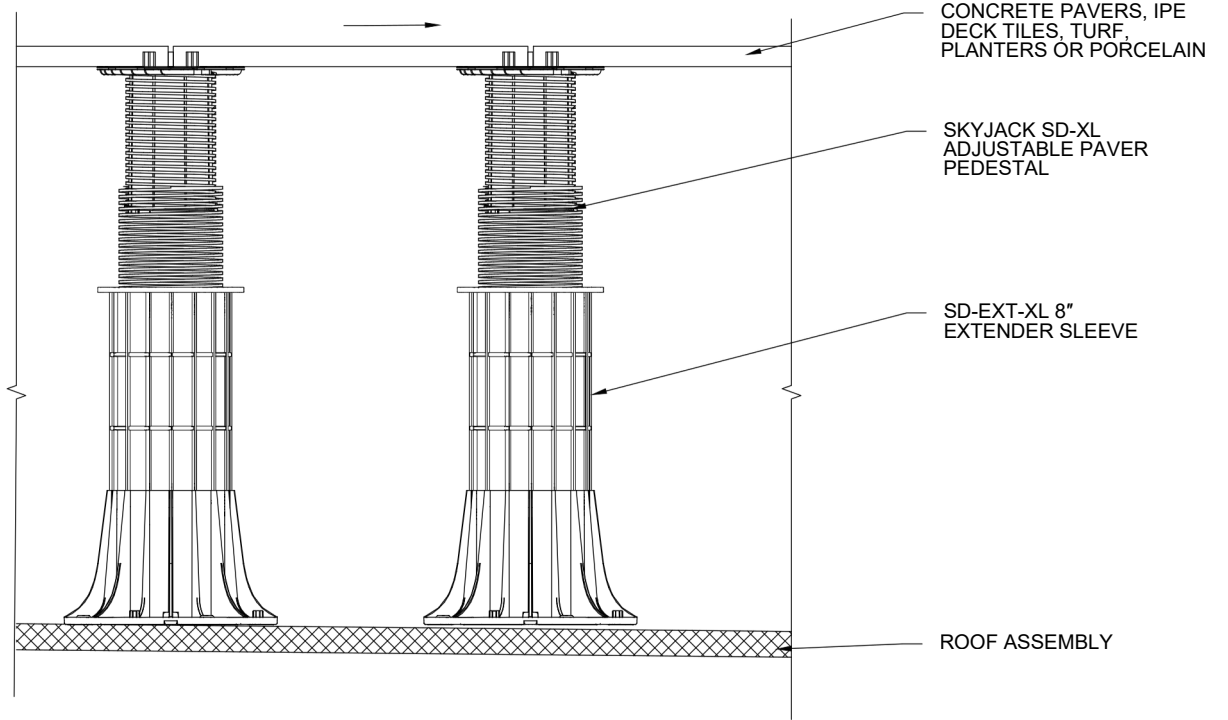


PLAN VIEW



FRONT ELEVATION
SD-XL + SD-XL-EXT WITH TOP PLATE

FOR SLOPES GREATER THAN 1/4" PER FOOT,
USE SD-BSC BASE SLOPE CORRECTOR TO COMPENSATE FOR SLOPES
UP TO 5%.



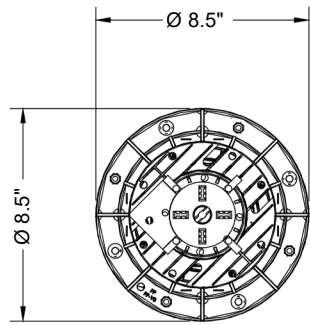
INSTALLATION DETAIL
TYPICAL PEDESTAL APPLICATION

SPECIFICATIONS		NOTES:
MATERIAL	FULLY RECYCLABLE HIGH DENSITY COPOLYMER POLY PROPYLENE (HD CPP)	- BOX CONTENTS: ONE FULLY ASSEMBLED SD-XL ADJUSTABLE PAVER PEDESTAL WITH 3/16" GAP SPACERS* (18 pcs per box) + SD-XL-EXT Height Extenders (30 per box) *1/8" GAP SPACERS ARE AVAILABLE UPON REQUEST
TEMP. RANGE	-22 to 200 DEGREES FAHRENHEIT	
WEIGHT CAPACITY	2,150 LBS PER PEDESTAL	

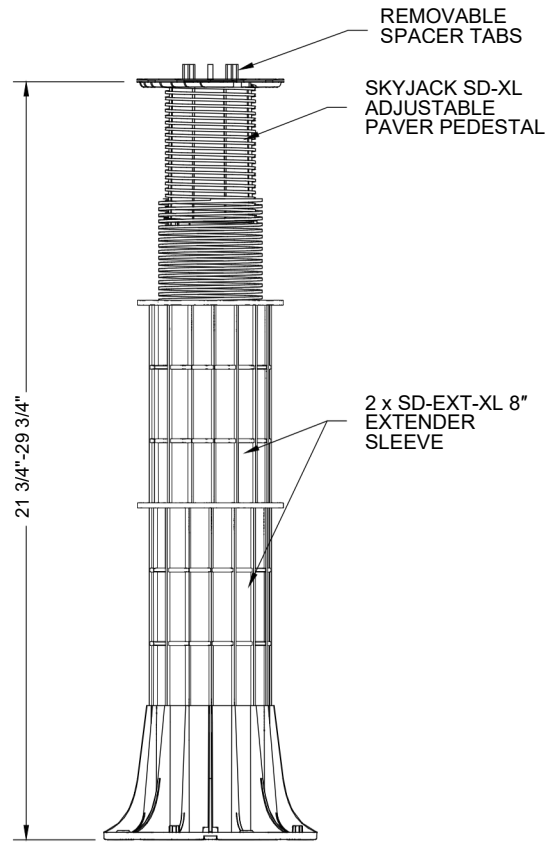
ADJUSTABLE PAVER PEDESTAL

SKYJACK: SD-XL + SD-XL-EXT - 13 3/4" - 21 3/4"

DWG. NO.	DATE: 6/20/25	
SHEET	BY:	

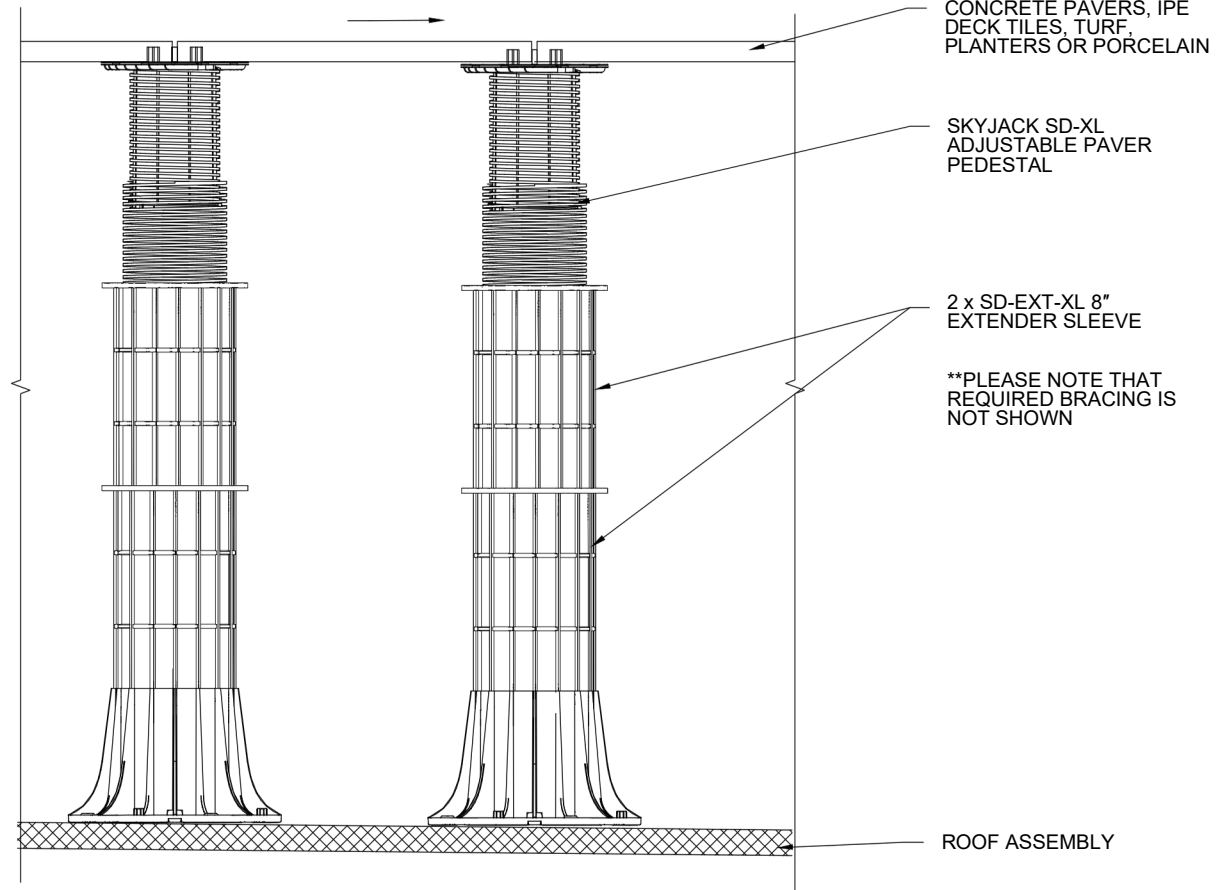


PLAN VIEW



FRONT ELEVATION
SD-XL + 2 SD-XL-EXT WITH TOP PLATE

FOR SLOPES GREATER THAN 1/4" PER FOOT,
USE SD-BSC BASE SLOPE CORRECTOR TO COMPENSATE FOR SLOPES
UP TO 5%.




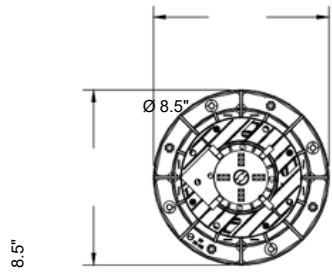
INSTALLATION DETAIL
TYPICAL PEDESTAL APPLICATION

SPECIFICATIONS		NOTES:
MATERIAL	FULLY RECYCLABLE HIGH DENSITY COPOLYMER POLY PROPYLENE (HD CPP)	- BOX CONTENTS: ONE FULLY ASSEMBLED SD-XL ADJUSTABLE PAVER PEDESTAL WITH 3/16" GAP SPACERS* (18 per box) + SD-XL-EXT (30 per box) * 1/8" GAP SPACERS ARE AVAILABLE UPON REQUEST
TEMP. RANGE	-22 to 200 DEGREES FAHRENHEIT	**PLEASE NOTE - PEDESTALS WITH 2 EXTENDERS OR MORE REQUIRE BRACING NOT SHOWN IN THIS DETAIL. PLEASE REFER TO OUR SKYHEIGHTS BRACING SYSTEM DETAIL FOR MORE INFORMATION.
WEIGHT CAPACITY	2,150 LBS PER PEDESTAL	

ADJUSTABLE PAVER PEDESTAL

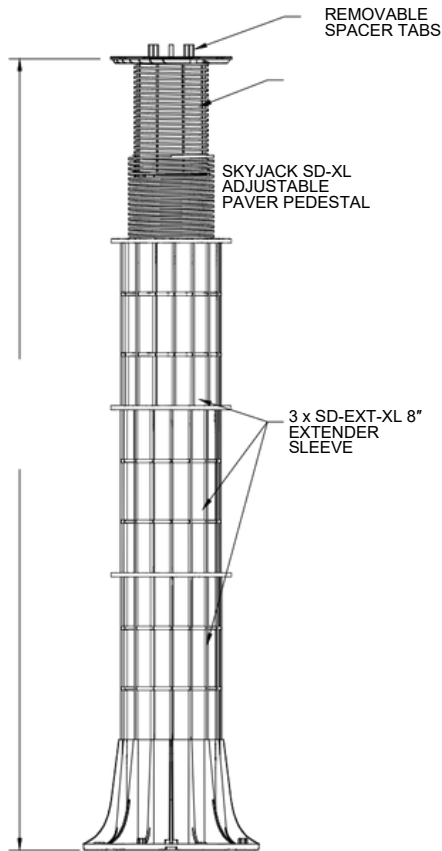
SKYJACK: SD-XL + 2 SD-XL-EXT - 21 3/4"-29 3/4"

DWG. NO.	DATE:	
SHEET	BY:	



PLAN VIEW

Ø 8.5"

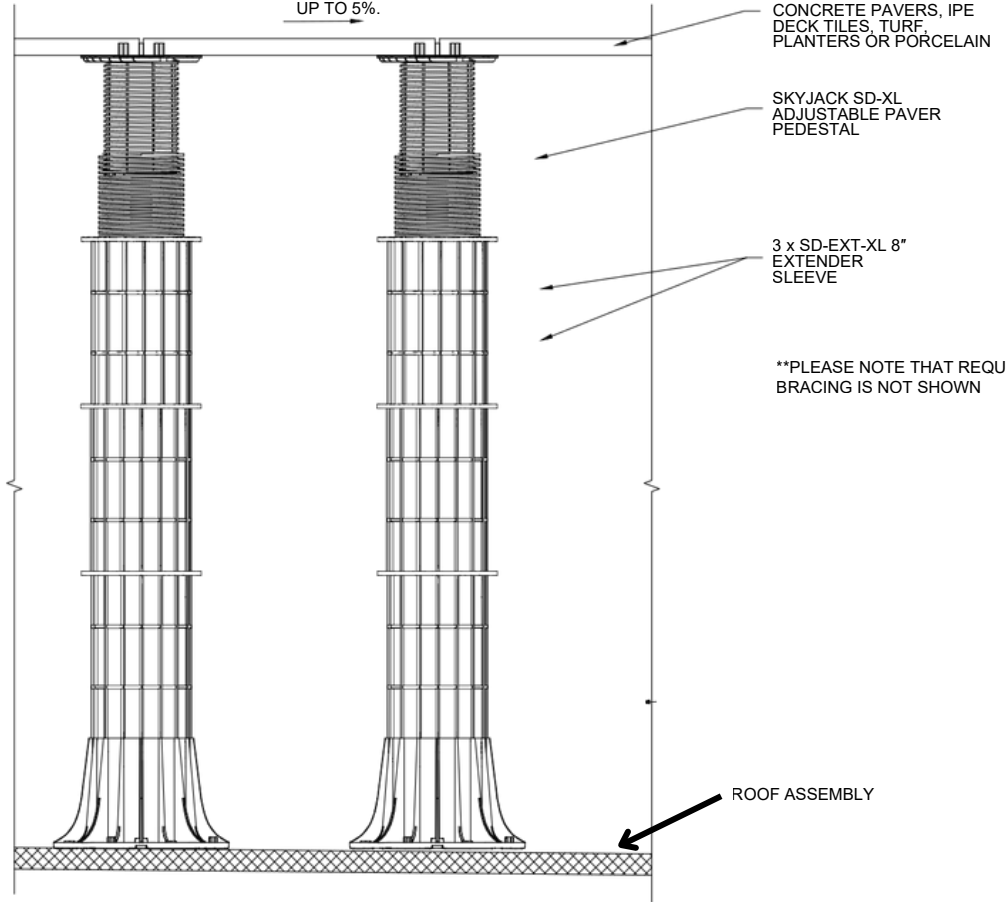


FRONT ELEVATION

SD-XL + 3 SD-XL-EXT WITH TOP PLATE

29 3/4"

FOR SLOPES GREATER THAN 1/4" PER FOOT,
USE SD-BSC BASE SLOPE CORRECTOR TO COMPENSATE FOR SLOPES
UP TO 5%.



INSTALLATION DETAIL
TYPICAL PEDESTAL APPLICATION

CONCRETE PAVERS, IPE
DECK TILES, TURF,
PLANTERS OR PORCELAIN

SKYJACK SD-XL
ADJUSTABLE PAVER
PEDESTAL

3 x SD-EXT-XL 8"
EXTENDER
SLEEVE

**PLEASE NOTE THAT REQUIRED
BRACING IS NOT SHOWN

ROOF ASSEMBLY

SPECIFICATIONS		NOTES:
MATERIAL	FULLY RECYCLABLE HIGH DENSITY COPOLYMER POLY PROPYLENE (HDCCP)	- BOX CONTENTS: ONE FULLY ASSEMBLED SD-XL ADJUSTABLE PAVER PEDESTAL WITH 3/16" GAP SPACERS* (18 per box) + SD-XL-EXT 8" Height Extenders (30 per box) 1/8" GAP SPACERS ARE AVAILABLE UPON REQUEST **PLEASE NOTE - PEDESTALS WITH 2 EXTENDERS OR MORE REQUIRE BRACING NOT SHOWN IN THIS DETAIL. PLEASE REFER TO OUR SKYHEIGHTS BRACING SYSTEM DETAIL FOR MORE INFORMATION.
TEMP. RANGE	-22 to 200 DEGREES FAHRENHEIT	
WEIGHT CAPACITY	2,150 LBS PER PEDESTAL	

ADJUSTABLE PAVER PEDESTAL

SKYJACK: SD-XL + 3 SD-XL-EXT - 29 3/4"-37 3/4"

DWG. NO.	DATE: 6/20/25
SHEET	BY:





skydeck
usa

REGULATION SHIM

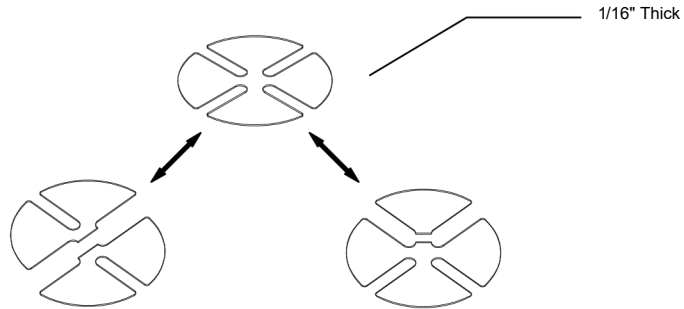
SD-XL-SH2

SKYJACK PEDESTALS

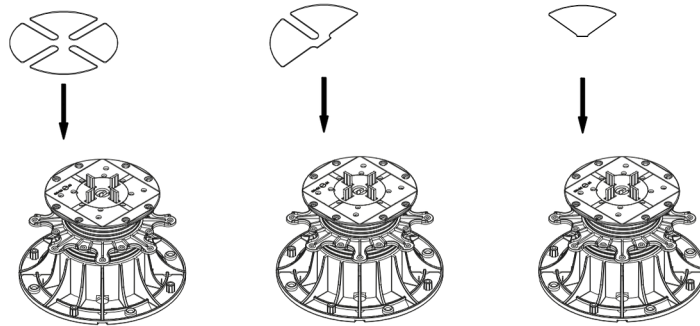
Adjustable Pedestal System by SKYDECK USA

www.skydeckusa.com
info@skydeckusa.com

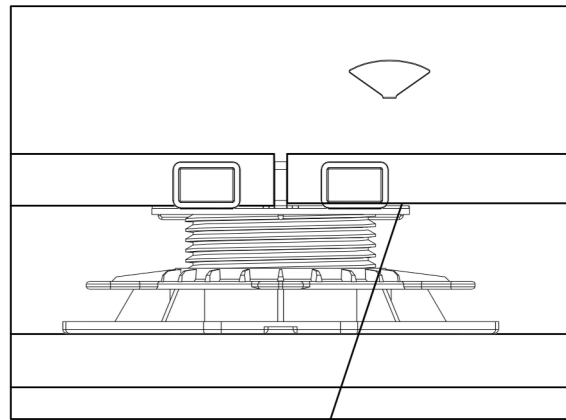
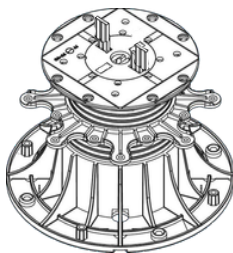
REGULATION SHIMS can be used to eliminate uneven pavers and to compensate small differences in height of terrace pavers.



REGULATION SHIMS can be easily cut to fit to use just halves or quarters.



SD-XL-SH2 shims should be used with SD-TS, SD-00 and all adjustable pedestals

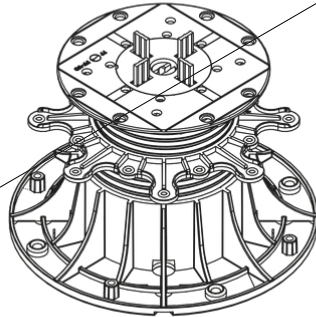


REGULATION SHIM

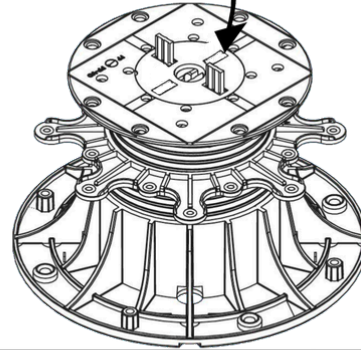
SKYJACK REGULATION SHIM



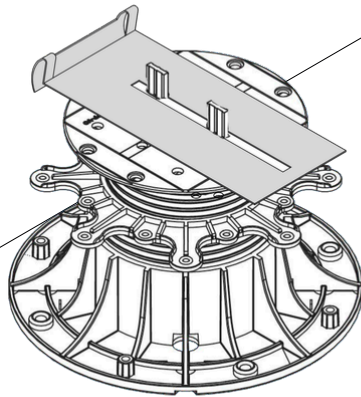
Place pedestal against the perimeter wall



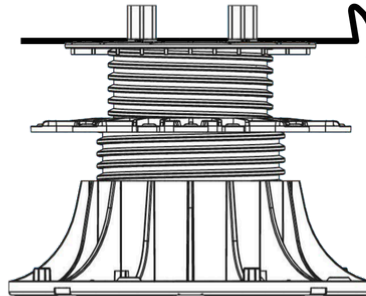
Snap off 2 parallel tabs



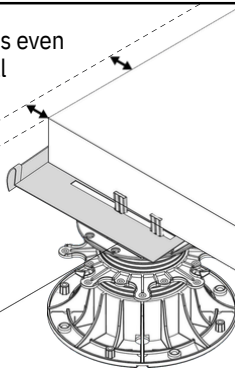
Place the wall clip
on top of the
pedestal



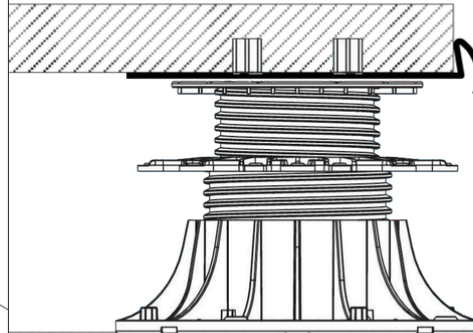
Side view of wall clip on pedestal



Wall clip maintains even
spacing along wall



Side view of paver on wall clip





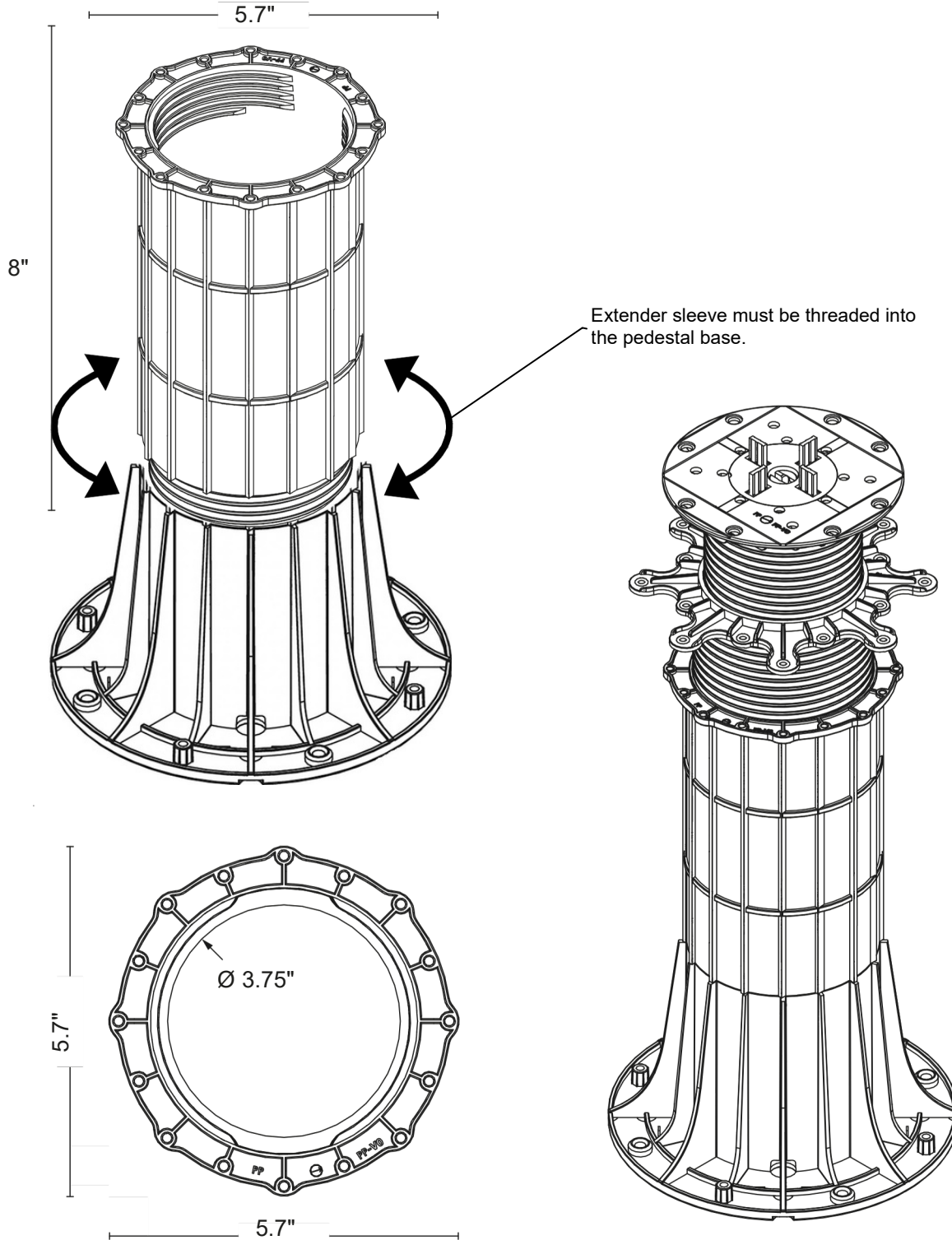
skydeck
usa

**EXTENDER
SLEEVE**
SD-XL-EXT

SKYJACK PEDESTALS
Adjustable Pedestal System by SKYDECK USA

www.skydeckusa.com
info@skydeckusa.com

The SD-XL-EXT Extender Sleeve is used to increase the height range of SD-XL SkyJack pedestals. The extender sleeve threads into the pedestal base, and the screw head is installed at the top of the assembly. For pedestal heights over 21.75", the SkyHeights Pedestal Bracing System is required to stabilize the pedestal assembly in accordance with Skydeck USA installation requirements.



SKYJACK EXTENDER SLEEVE - SD-XL-EXT



skydeck
— usa —

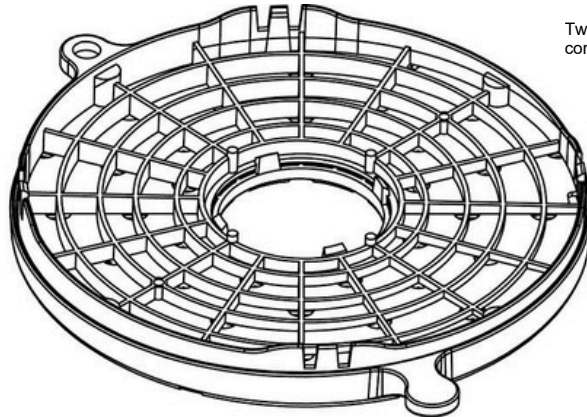
BASE SLOPE CORRECTOR

SKYJACK PEDESTALS
Adjustable Pedestal System by SKYDECK USA

SD-BSC

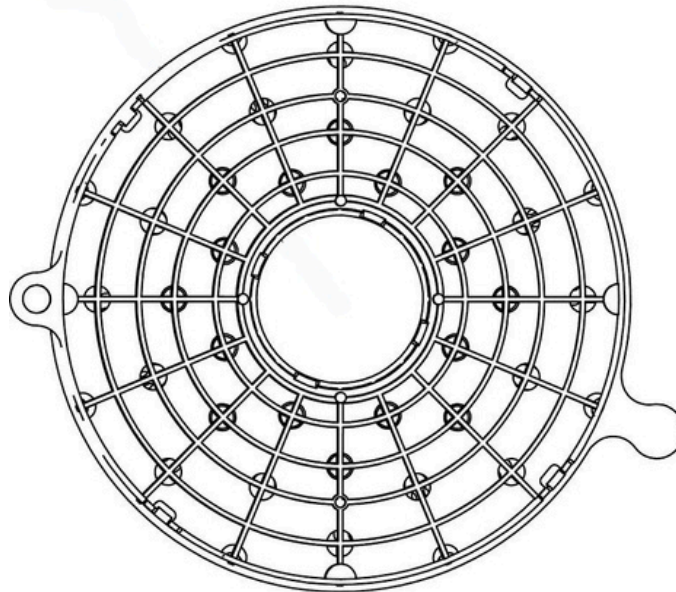
www.skydeckusa.com
info@skydeckusa.com

The SKYJACK BASE SLOPE CORRECTOR is placed underneath SD-M, SD-L and SD-XL pedestals to compensate for slopes up to 5%.

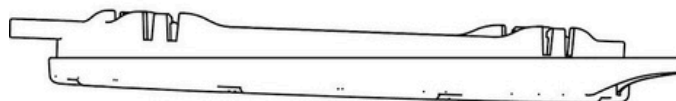


Twist to adjust the slope correction from 0-5%

8-5/8"



9/16" to
1-3/16"



SKYJACK BASE SLOPE CORRECTOR - SD-SC



skydeck
usa

Rubber Protective Pad

SD-PP

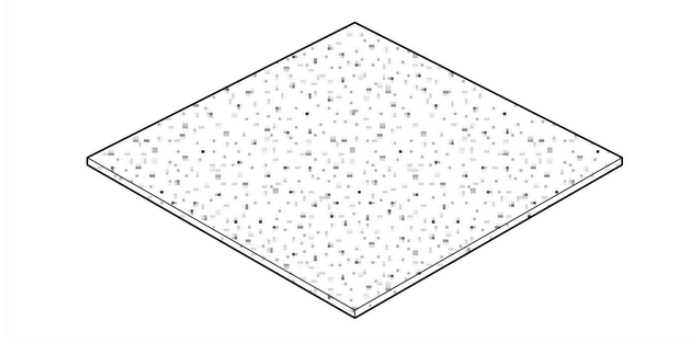
SKYJACK PEDESTALS

Adjustable Pedestal System by SKYDECK USA

www.skydeckusa.com

info@skydeckusa.com

Rubber Protective Pads can be used underneath the pedestals to protect the roof membrane. We always recommend the use of rubber protection pads to avoid the roofing material adhering to the pedestal base with high roof temperatures. Rubber Protective Pads also help dampen sound when using the terrace. Rubber protective pads are water and weather resistant.



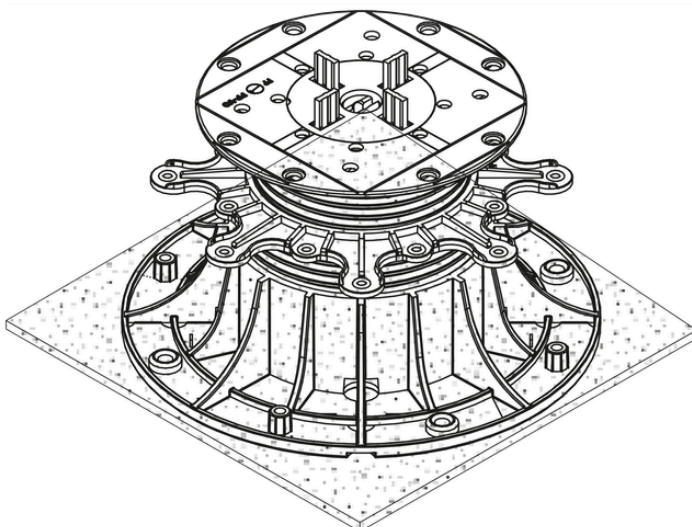
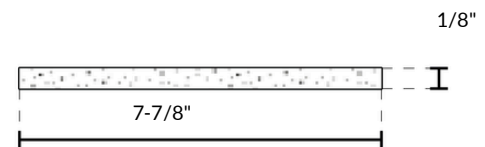
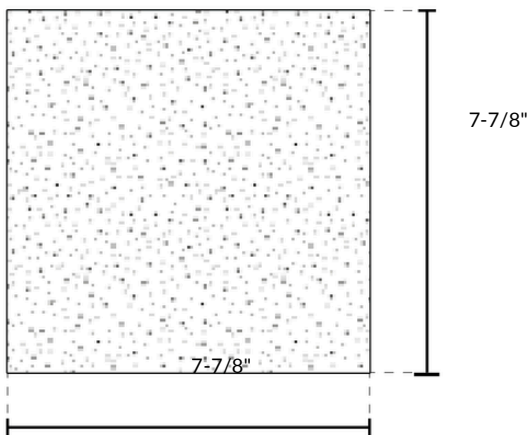
Technical data

Size:

Width/Length: 7-7/8"

Thickness: 1/8"

Material: SBR, polyurethane glue



Noise reduction

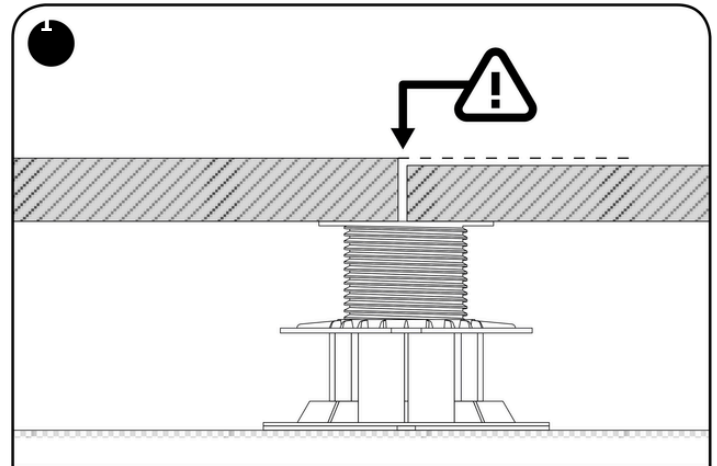
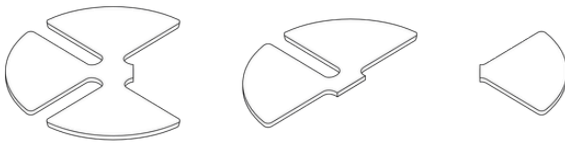
Rubber protective pads help dampen sound when walking on the patio.

SKYJACK RUBBER PROTECTIVE PAD

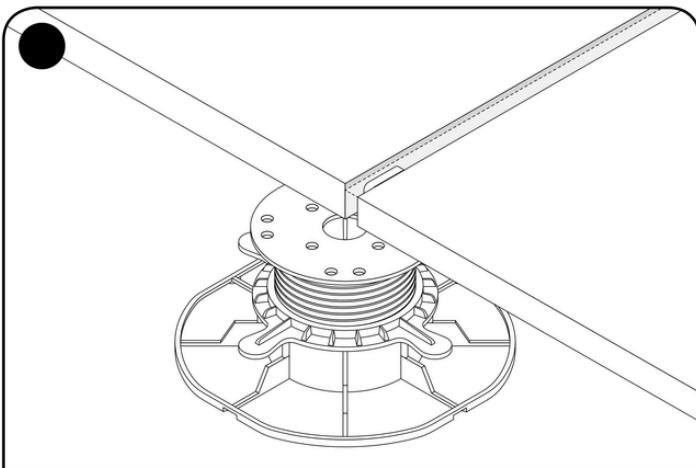


Rubber shims

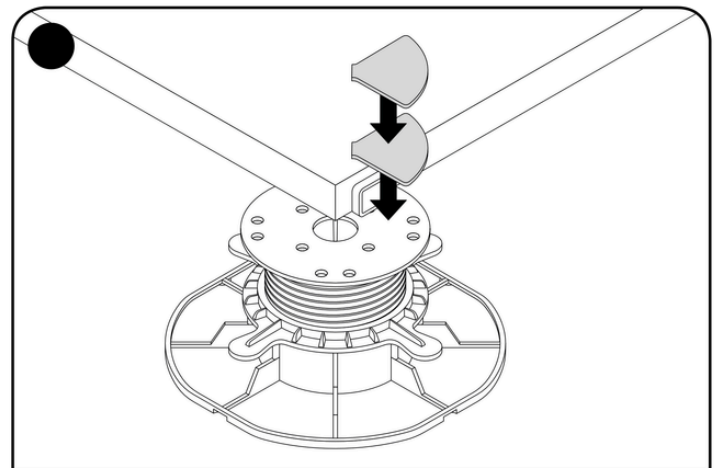
In situations where there are minor differences in tile thickness, rubber shims can be used to level the pavers. First, place shims on top of the lower paver. Using a level, stack shims until the shims are level with adjacent paver. Then lift the corner of the lower paver and place the shims on the appropriate corner of the pedestal.



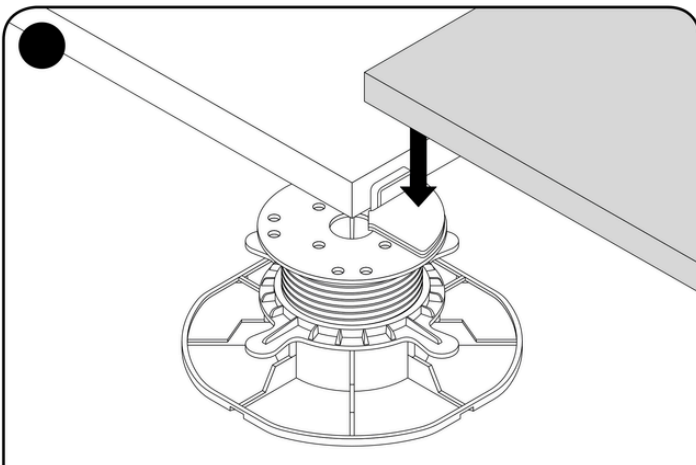
1. Measure tile thicknesses.



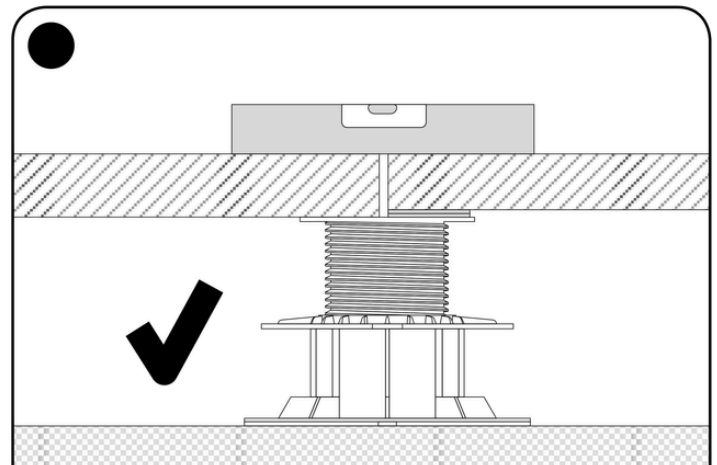
2. Verify thickness differences between tiles.



3. Place shims on the appropriate corner of the pedestal.



4. Place tile back down on top of the rubber shims.



5. Double check that the pavers are level

PEDESTAL WEIGHT PERFORMANCE



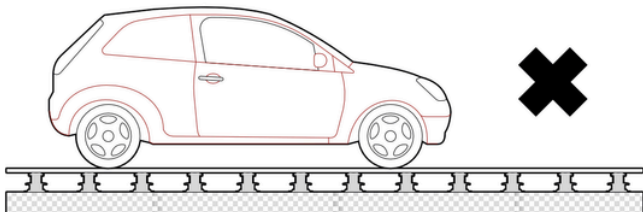
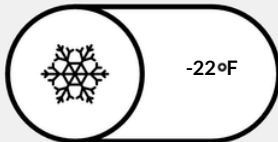
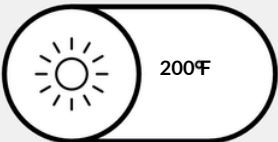
Acceptable weight load

SkyJack pedestals have a weight bearing capacity of 2,150 lbs

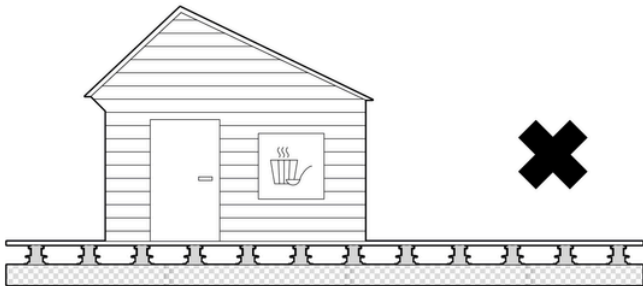


Temperature resistance

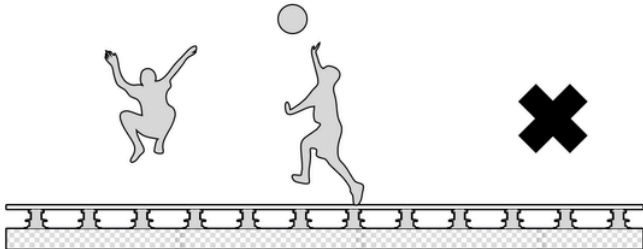
SkyJack pedestals can withstand extreme temperatures



It is forbidden to drive any vehicle on the terrace.



It is forbidden to place any heavy object on the terrace.

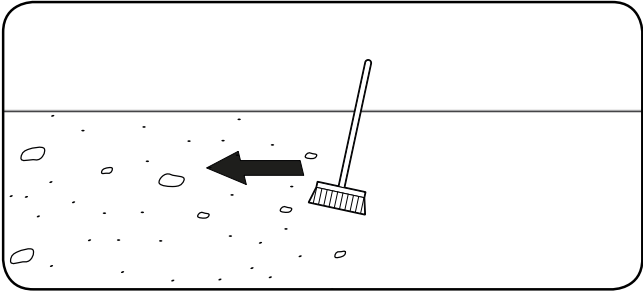
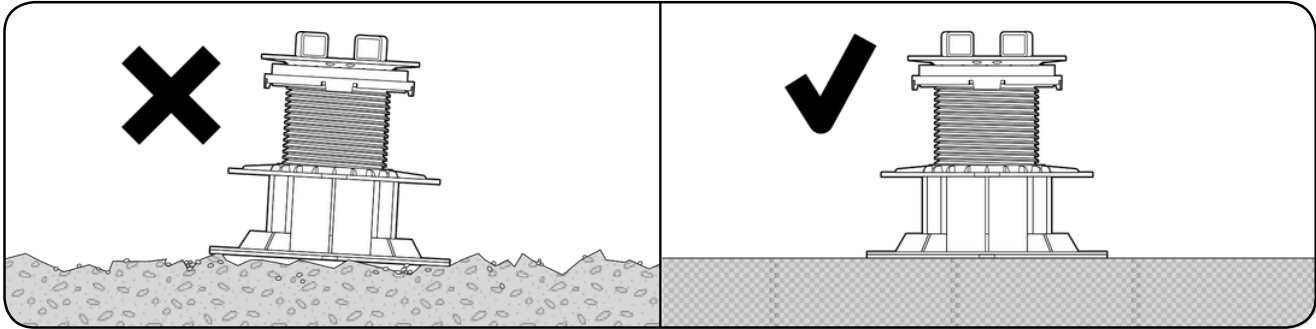


It is forbidden to run or jump on the terrace.

PEDESTAL FOUNDATION NOTES

Flat surface

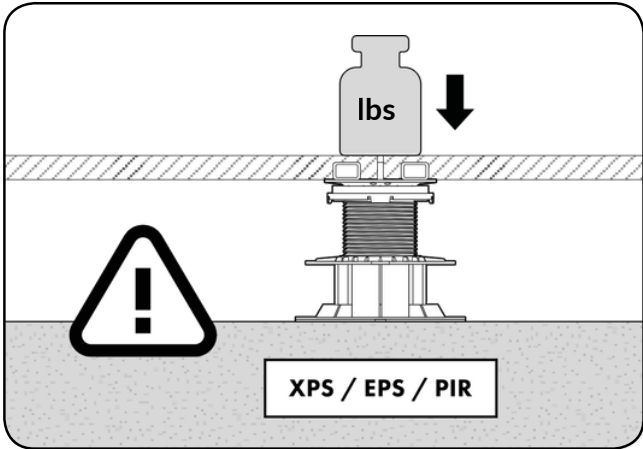
The foundation on which pedestals are placed must be flat and provide stability for the pedestals.



Clean surface
Before placing pedestals. Clean terrace surface from any unwanted elements. Do not place pedestals on dirt and debris.

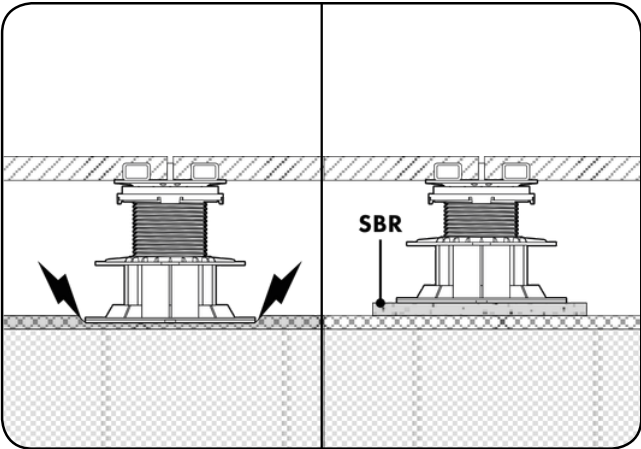
Foundation weight loading

Pedestals can be placed on the 60 psi rigid insulation board or similar. Remember to check foundation weight loading performance.



Sensitive surface protection

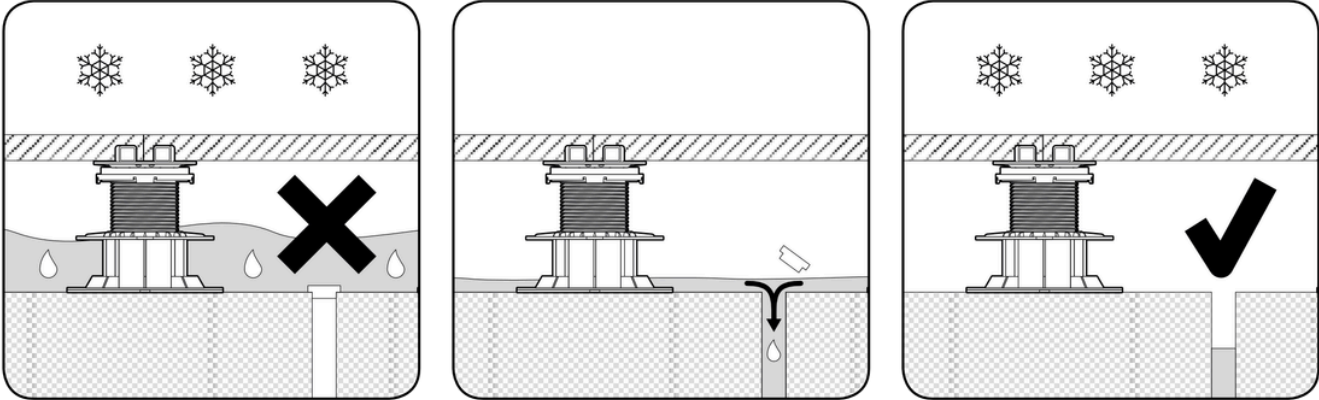
In order to prevent pedestals adhering to the roofing membrane or causing damage, rubber protective pads are recommended underneath the pedestals.



IMPORTANT INFORMATION REGARDING WATER

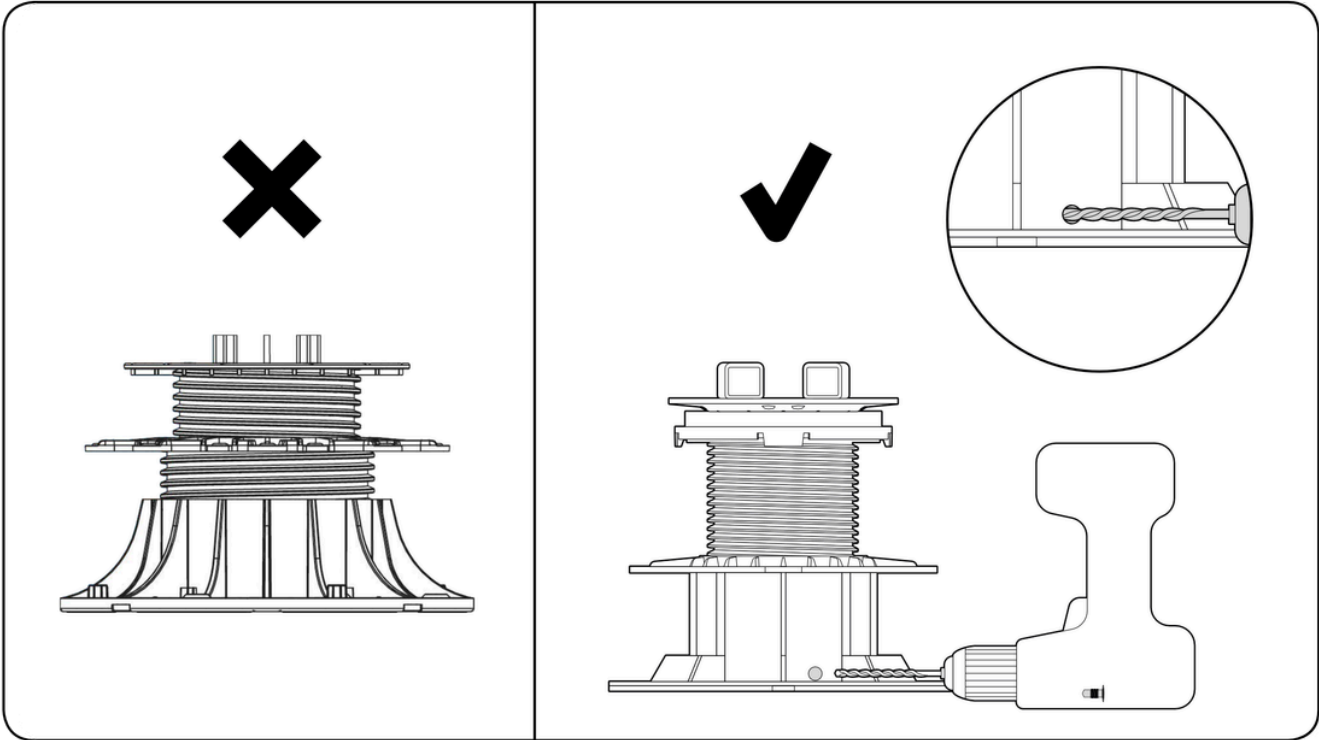
▼ Pedestals must be able to drain all water

Pedestals that are not allowed proper water drainage may crack during freezing temperatures. Routinely check that pedestals are not collecting water and that they have not adhered to the roofing membrane. To avoid adhering, use rubber protective pads underneath each pedestal.



▼ Water inside pedestals

If the pedestals have water collecting inside them, drill additional weep holes at the bottom of the pedestals to allow the water to freely flow out.

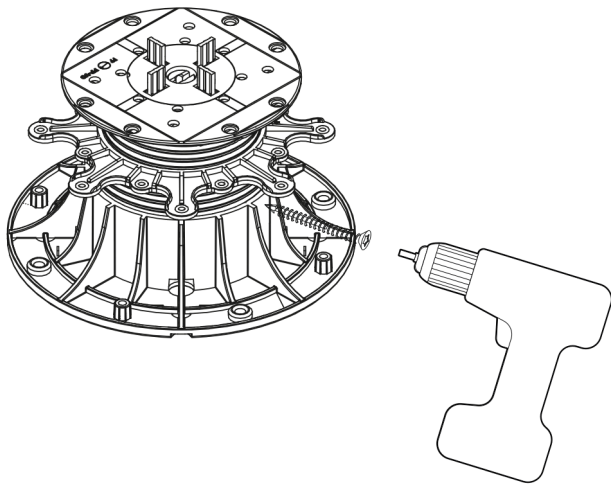


PEDESTAL LOCKING

For pedestal decks in areas that experience significant vibration, including but not limited to airports, concerts, live music venues, or dancing venues, a pedestal locking screw is required.

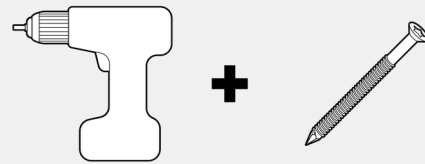
▼ Lock pedestals in place

Certain roofs experience vibrations that can cause the pedestals to slowly adjust down. To prevent this, place a screw through the base and screw ring to lock it into place.



Tools:

First drill the hole and then install the screw with a drill.

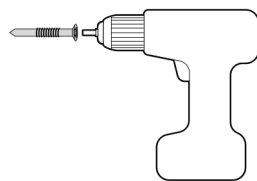


Drill

Screws

▼ Pedestal height lock

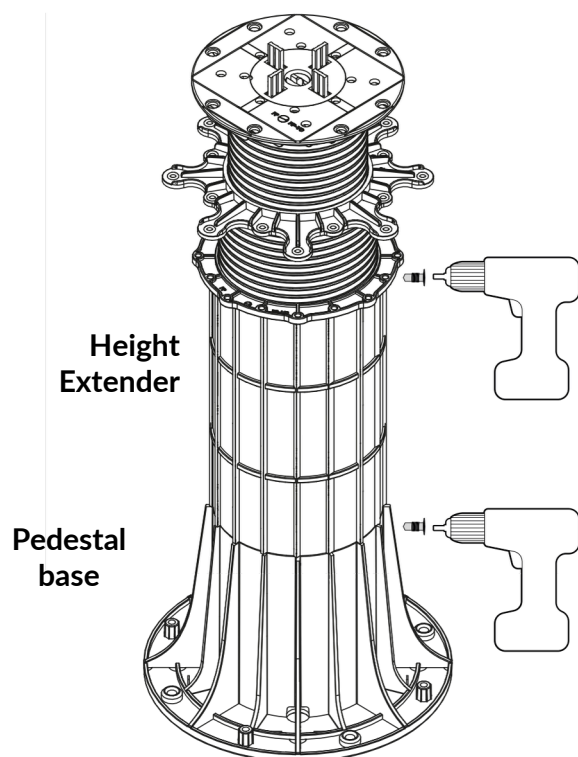
Drill through the pedestal base and screw ring, then drive the screw into place to lock the pedestal height.



Ensure that pavers are all flush and level before adding the screw. The pedestals can't adjust once the screw is installed.

▼ Pedestal lock with height extender

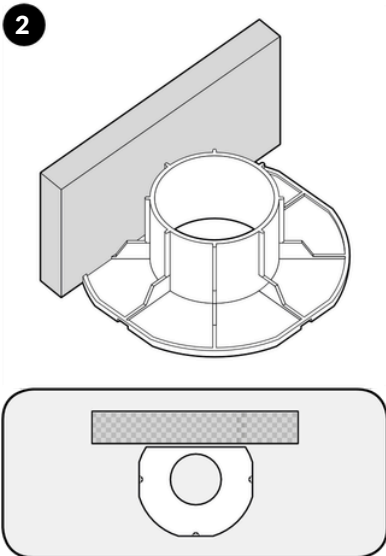
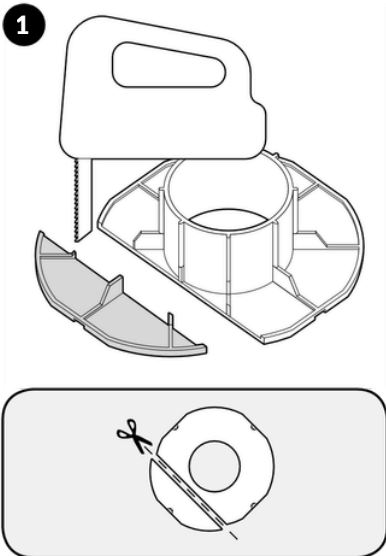
When locking the height of pedestals that use height extenders, place a screw at the top connection and at each height-extender intersection.



CUTTING PEDESTAL BASE

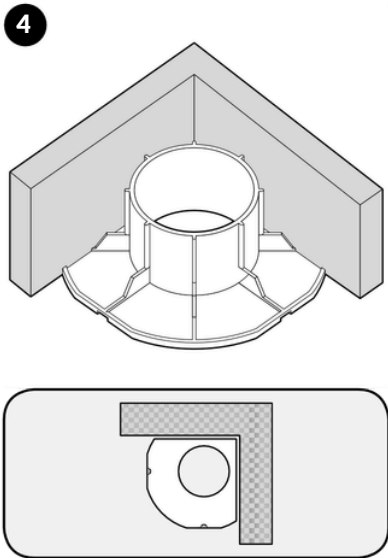
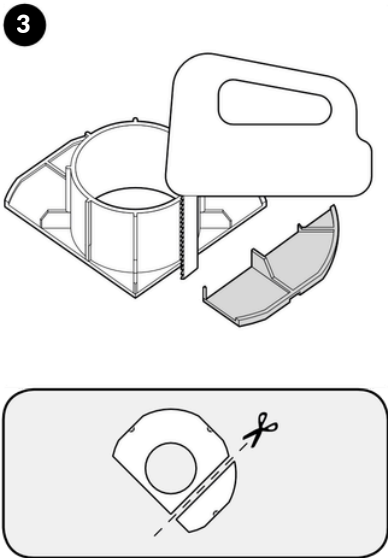
▼ Pedestals may be cut along the wall

Along parapet walls, the pedestal base may be cut to allow the pedestal to sit closer to the wall. Using a saw, cut along the perforated line on the bottom side of the pedestal. Please note that the sharp edge after cutting must be protected with a rubber protective pad.



▼ Cutting pedestal base in corners

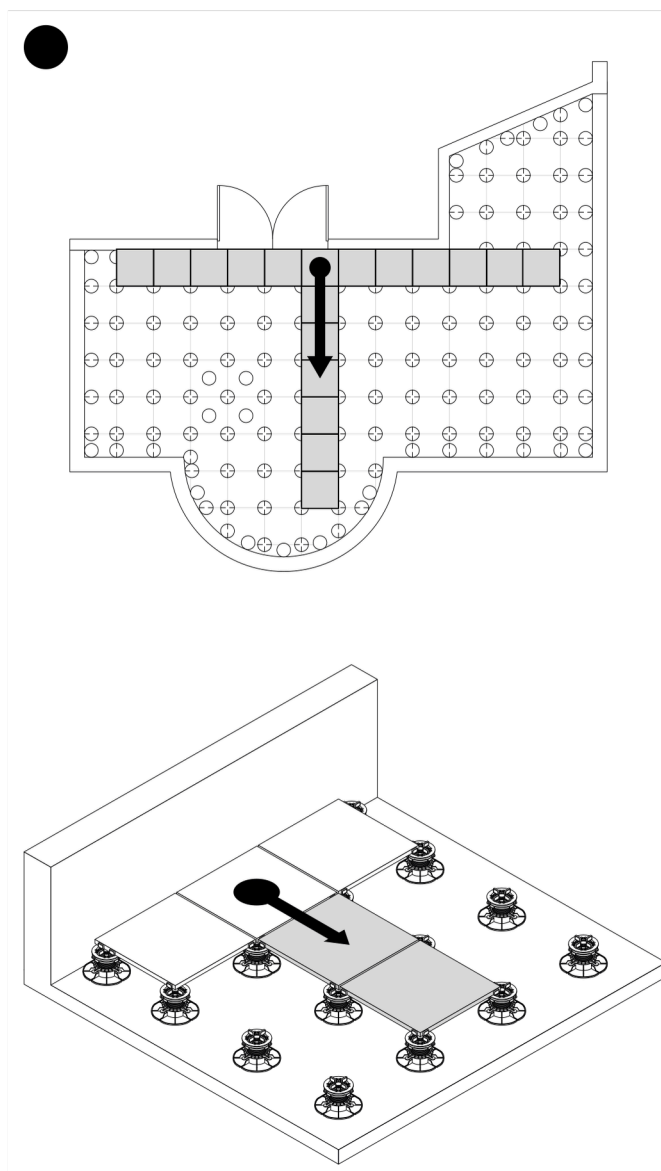
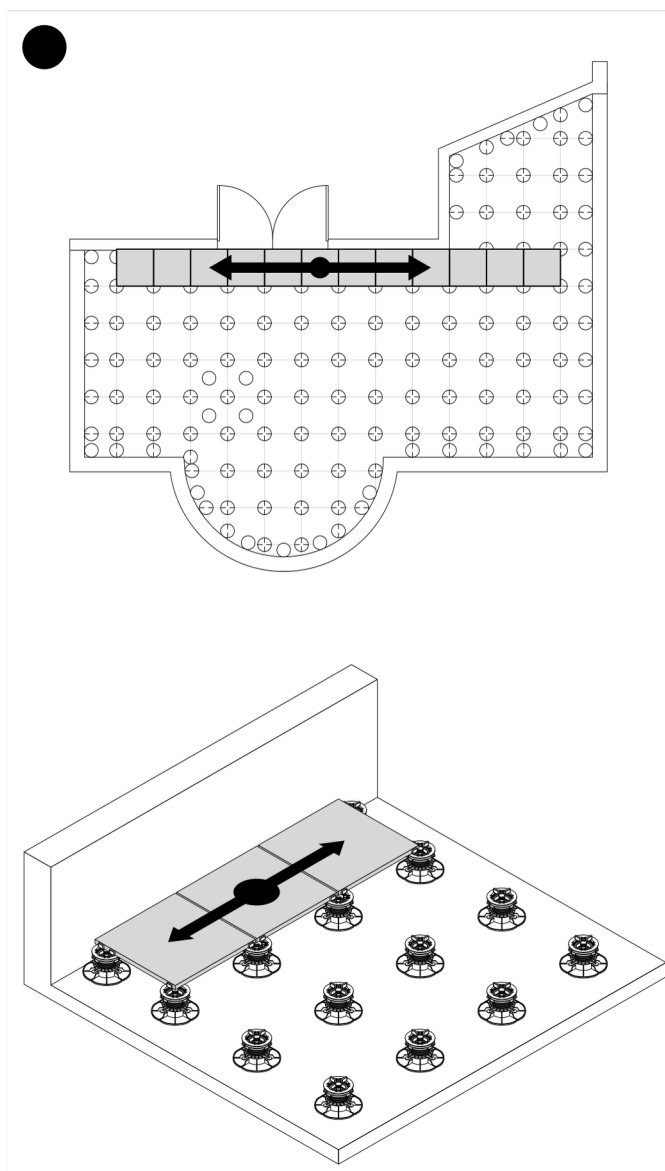
The pedestal base may be cut to fit more closely into corners. Please note that rubber protective pads must be used underneath to protect the roof from the sharp cut edges of the pedestal.



INSTALLATION - PLACEMENT OF FIRST PEDESTALS

▼ Set start point

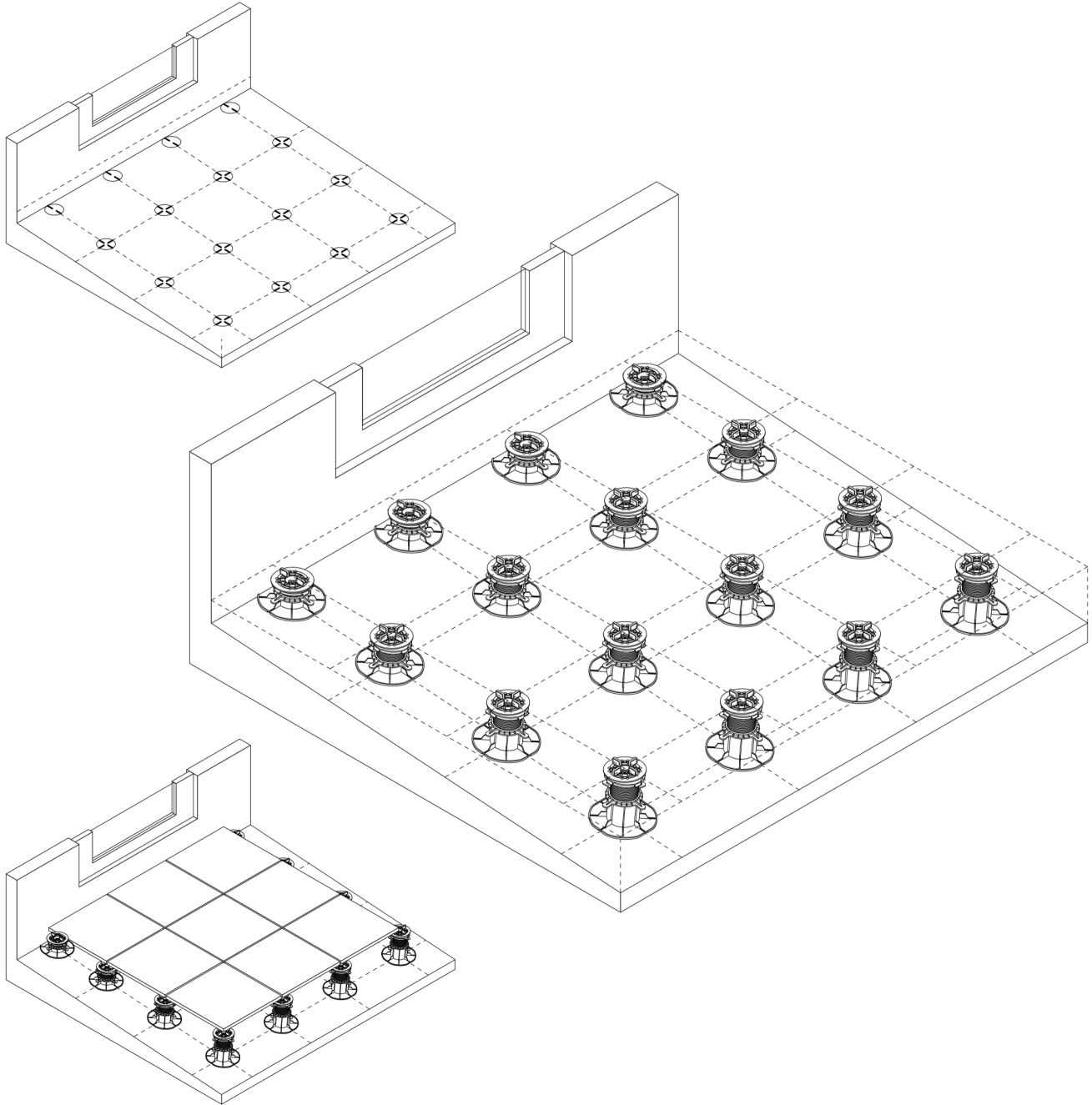
The first line of the tiles should lay along the longest wall, if possible. Begin with the first row that does not require cutting. Next, lay a perpendicular row in the longest possible line. Work from there to fill in all of the full tiles. Finish the patio by filling in all of the cut pavers.



INSTALLATION - PLACING PEDESTALS AT ENTRANCES

▼ Evaluating height of the terrace level

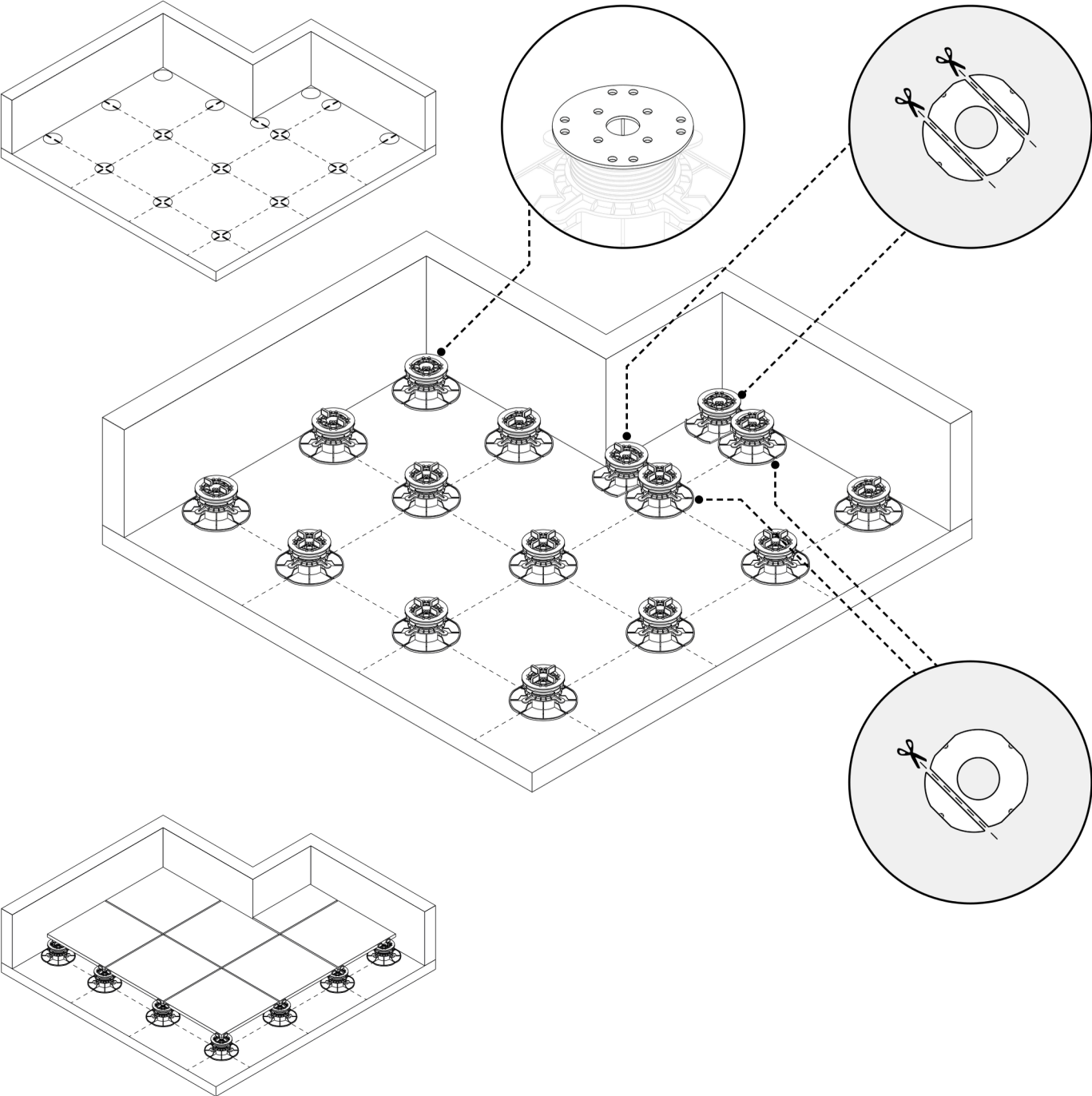
The doorways set the height for the entire terrace. Use local building codes to determine where your pavers need to line up at the entrance. The minimum entrance height needs to be 1/16" plus the thickness of your paver in order to accommodate the skydeck paver pedestal system. But, we recommend at least 4".



INSTALLATION - CORNERS

▼ Pedestal placement in corners

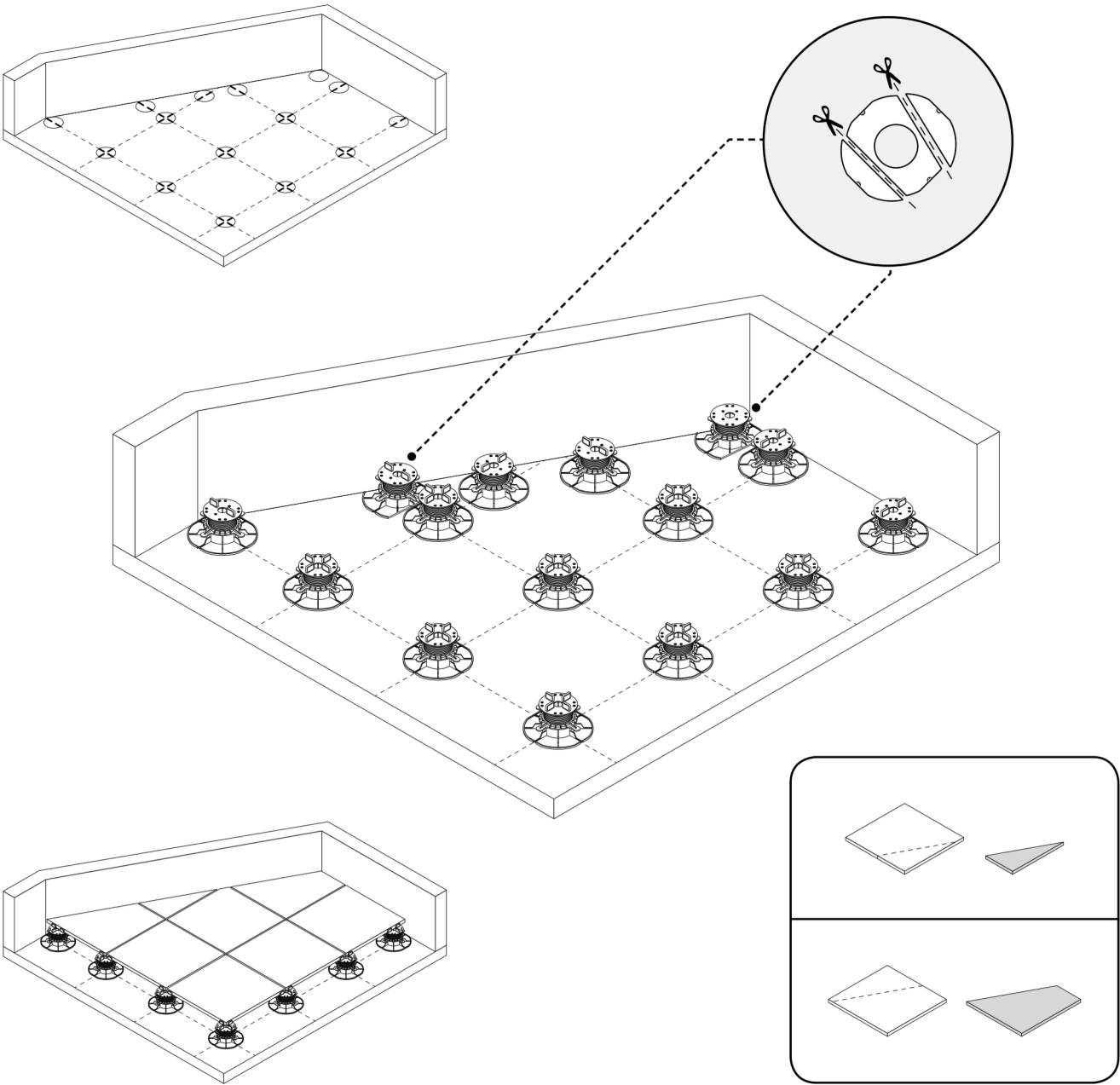
Corner pedestals that are holding full tiles can be pushed up to the corner as tight as possible. Wall clips may be used to help support the perimeter tiles and create uniform gaps along the wall. The pedestal base may also be cut along the perforated lines on the bottom of the pedestal to allow the pedestal to be pushed tighter against the wall



INSTALLATION - DIAGONAL WALLS

▼ Pedestals running along diagonal walls

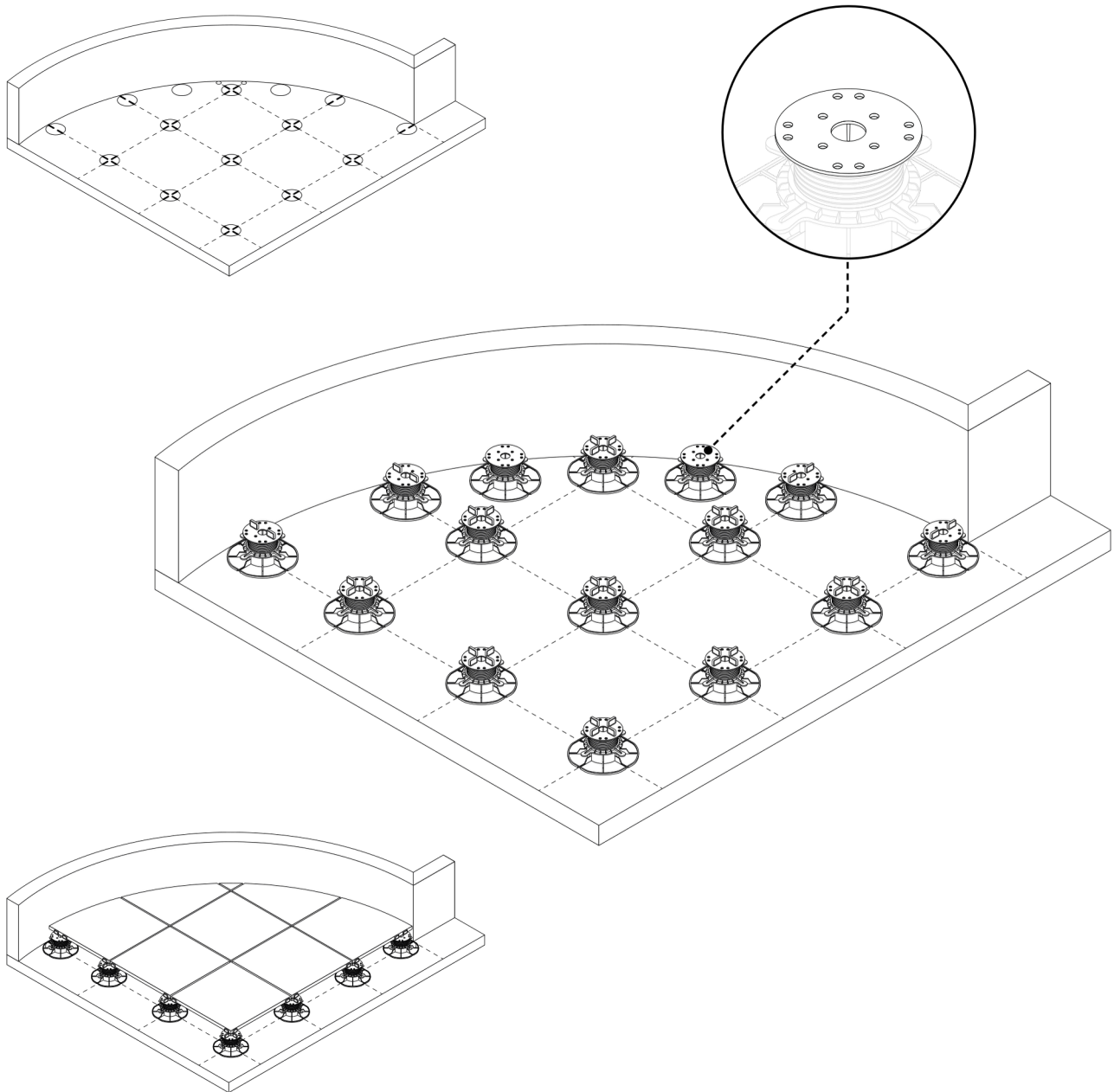
Pedestals must support each corner of the cut pavers along diagonal walls. The pedestal base may be cut along the perforated lines on the bottom of the pedestal in order to place them closer to the wall. Take measurements of odd shaped areas prior to starting the project to avoid very small slivers of pavers. Use wall clips to help support cut pavers along walls.



INSTALLATION - LAYING PEDESTALS AGAINST AN ARC WALL

▼ Cutting pedestals and tiles

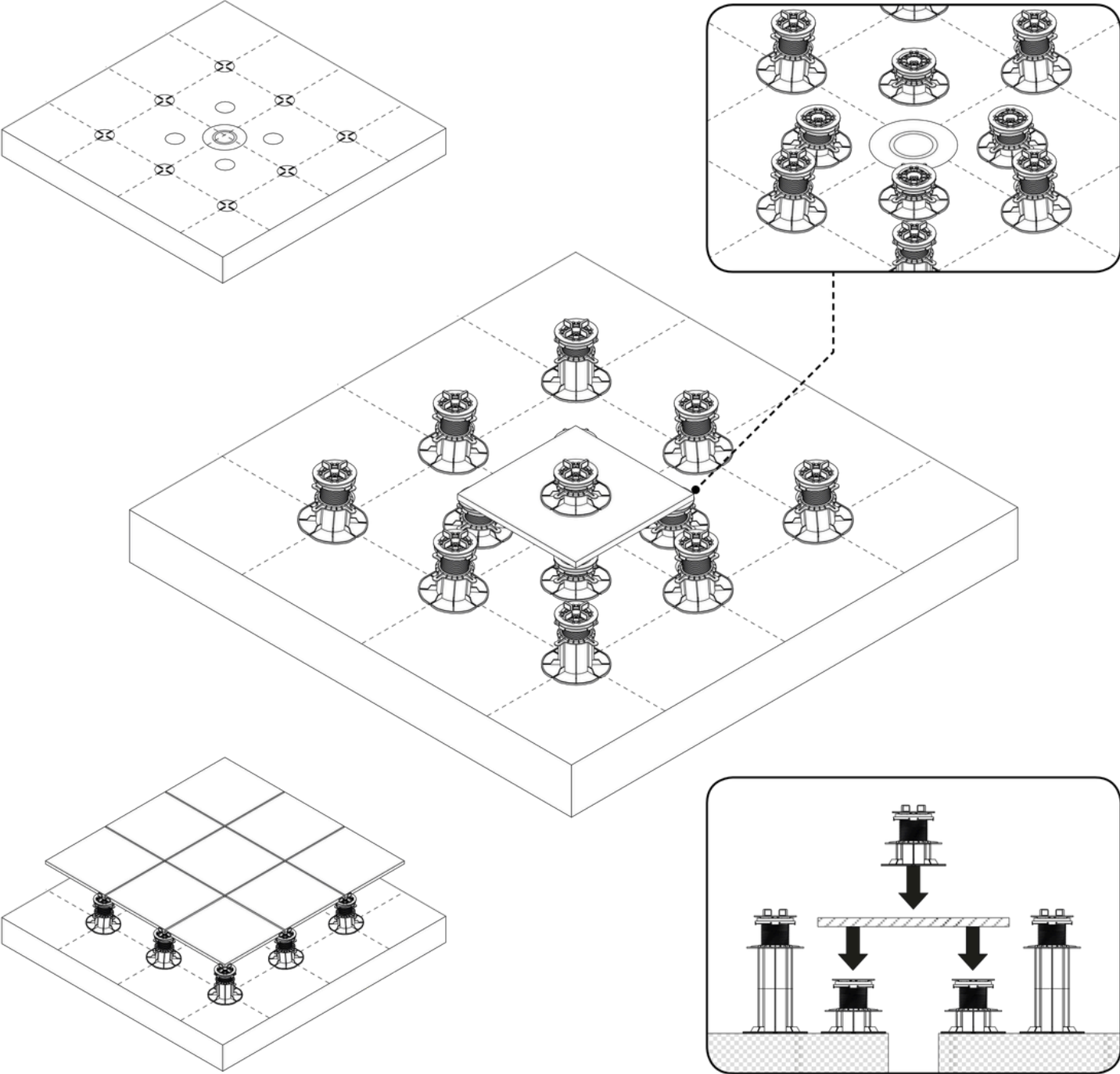
Custom pedestal layouts will be required along arc shaped walls. Place as many pedestals as required to ensure that pavers don't rock. Take measurements of odd shaped areas prior to starting the project to avoid very small slivers of pavers. Use wall clips to help support cut pavers along walls.



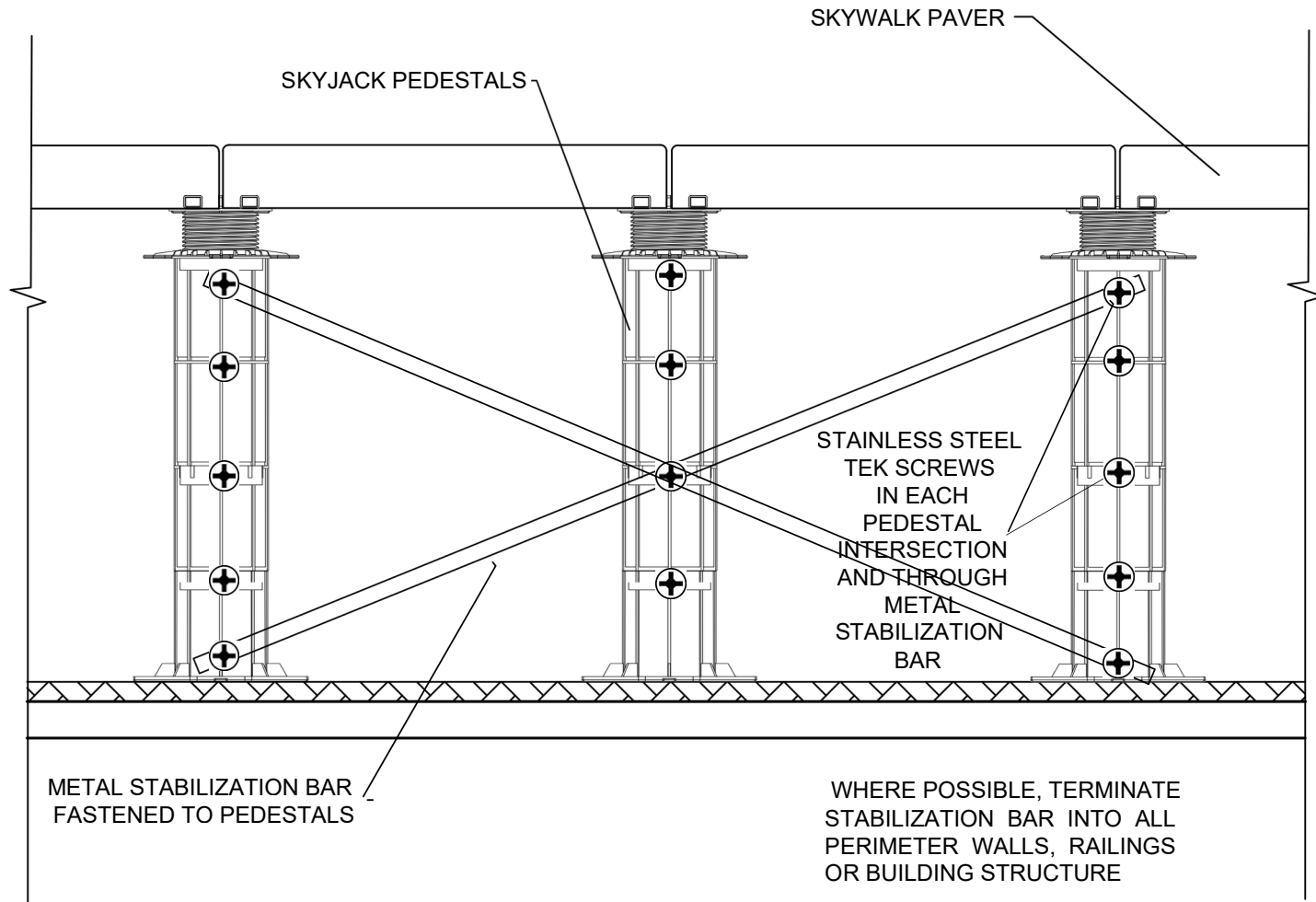
INSTALLATION - PEDESTALS OVER DRAINS

Assembly for drain location

Sometimes a pedestal will be needed right on top of a roof drain. When this happens, use four short pedestals with a paver on top to build a platform for your pedestal.



SkyHeights Pedestal Bracing System



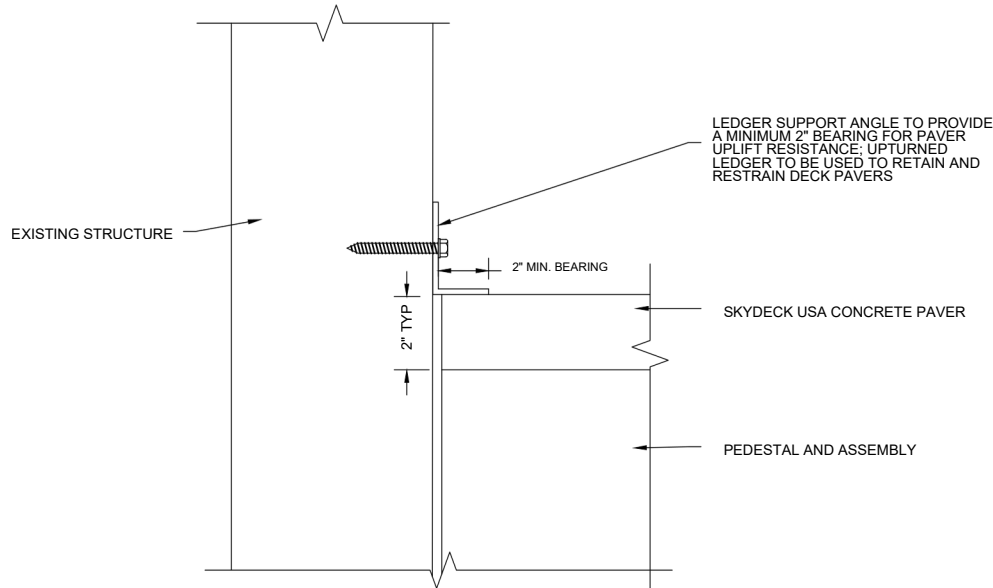
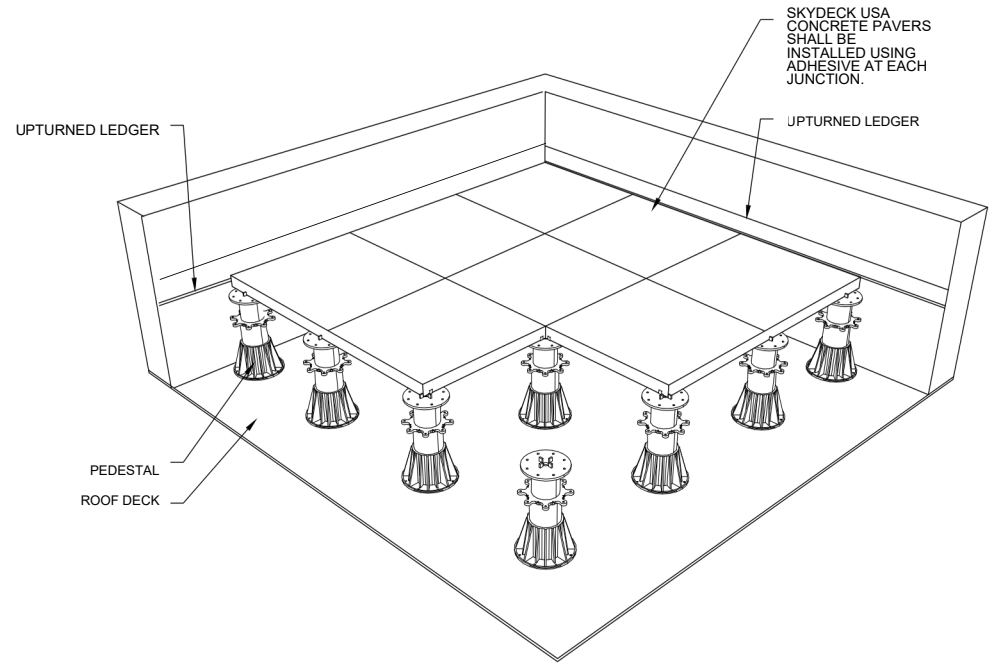
COMMENTS:

- 1.The installation must be done according with construction documents.
- 2.Unless stated drawings are without a scale.
- 3.All hardware and stabilization system must be approved and provided by skydeck usa.
- 4.Sky Heights Pedestal Stabilization System required for pedestal heights above 21.75".
- 5.All sides of pedestal paver system must be enclosed by structural wall in order to install pedestals at taller heights.
- 6.More information and advice, send questions to INFO@skydeckusa.com

skydeck
— USA —



Concrete Paver Uprturned Ledger for Wind Uplift Support



INSTALLATION DETAIL
UPTURNED LEDGER SUPPORT

LEDGER SUPPORT DETAILS UPTURNED LEDGER SUPPORT FOR SKYWALK CONCRETE PAVERS

SPECIFICATIONS

Adding a ledger secures perimeter pavers to help prevent wind uplift

NOTES:

Note: Ledger anchorage and all associated connections shall be designed and approved by a qualified design professional in accordance with applicable codes and site-specific loading requirements. The upturned ledger support detail is project-specific and has not been included in the ASTM E330 WindStrong system test. Skydeck USA assumes no responsibility for the structural performance, adequacy, or code compliance of the ledger anchorage design or installation.

DWG. NO.

DATE: 6/20/25

SHEET

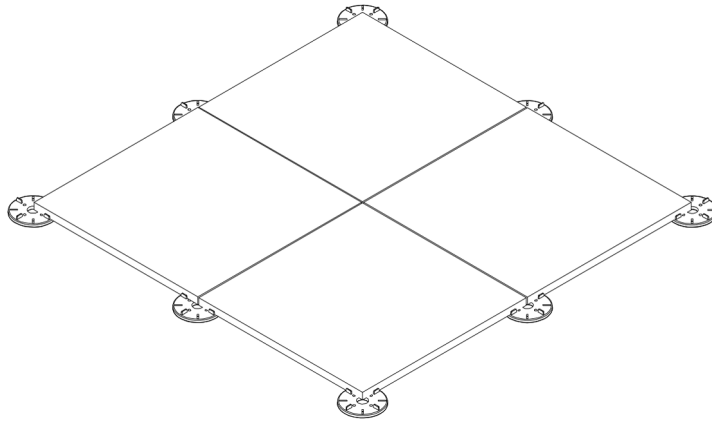
BY:





SKYWALK PAVERS

ROOFTOP PATIO SYSTEM by SKYDECK USA



ARCHITECTURAL ROOFTOP PAVERS

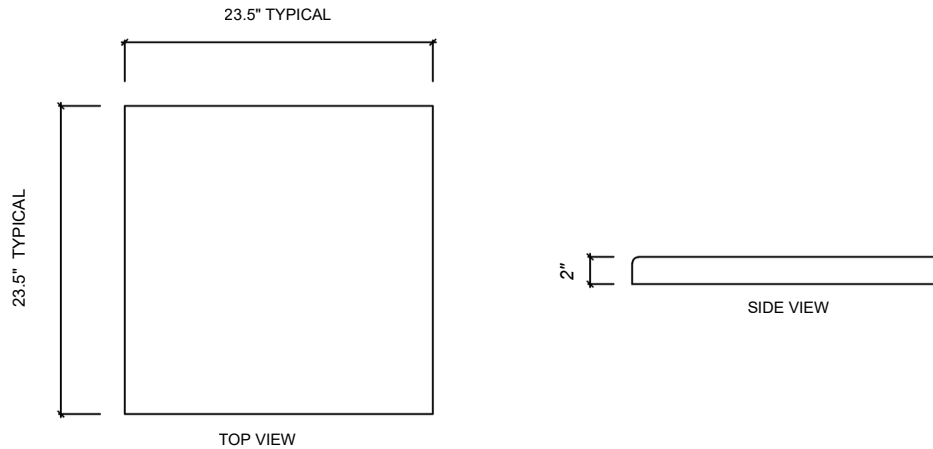
DETAIL MANUAL



TECHNICAL DATA

SKYWALK PAVERS
Elevated Patio System by SKYDECK USA
www.skydeckusa.com
info@skydeckusa.com

STANDARD SKYWALK CONCRETE PAVER SIZE

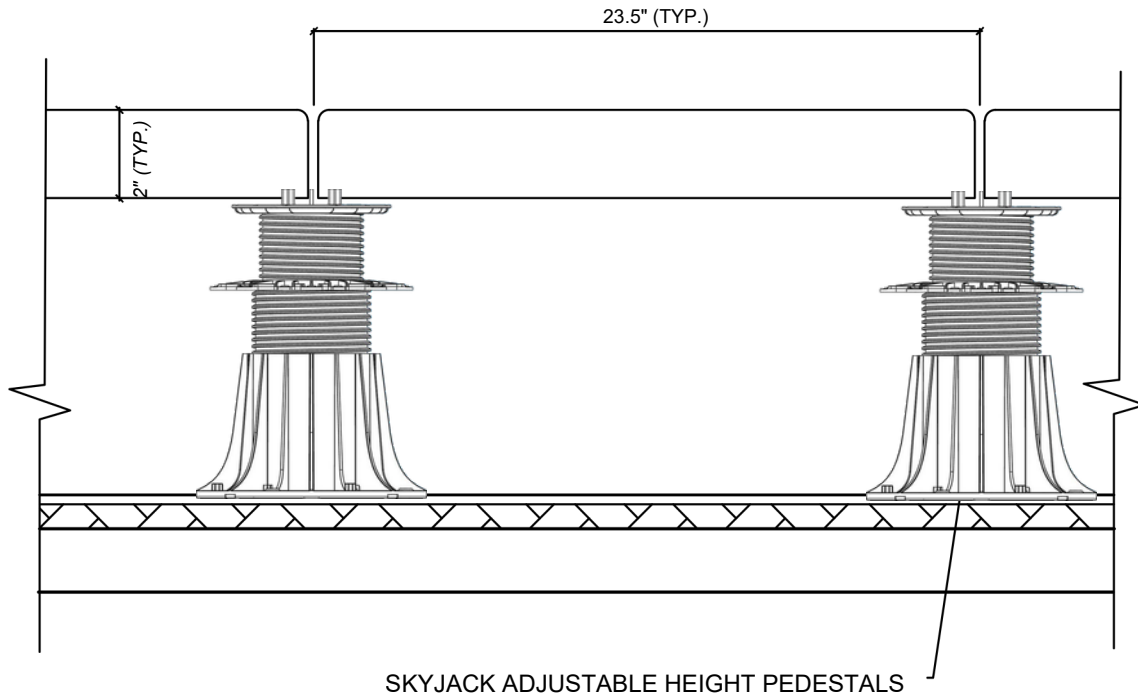


PAVER SIZES (CUSTOM SIZES AVAILABLE UPON REQUEST)	<table style="width: 100%; border-collapse: collapse;"> <tr> <td style="padding: 2px;">11-3/4" x 11-3/4"</td> <td style="padding: 2px;">14-5/8" x 29-5/8"</td> <td style="padding: 2px;">23-1/2" x 23-1/2"</td> <td style="padding: 2px;">23-7/8" x 35-7/8"</td> </tr> <tr> <td style="padding: 2px;">11-3/4" x 23-1/2"</td> <td style="padding: 2px;">15-3/4" x 15-3/4"</td> <td style="padding: 2px;">23-3/4" x 23-3/4"</td> <td style="padding: 2px;">23-7/8" x 47-7/8"</td> </tr> <tr> <td style="padding: 2px;">11-3/4" x 36 11-7/8" x 47-7/8"</td> <td style="padding: 2px;">15-3/4" x 23-5/8"</td> <td style="padding: 2px;">23-7/8" x 23-7/8"</td> <td style="padding: 2px;">29-1/2" x 29-1/2"</td> </tr> <tr> <td style="padding: 2px;">12" x 36"</td> <td style="padding: 2px;">17-5/8" x 17-5/8"</td> <td style="padding: 2px;">24" x 24"</td> <td style="padding: 2px;">29-3/4" x 2 9-3/4"</td> </tr> <tr> <td style="padding: 2px;">14-1/2" x 14-1/2"</td> <td style="padding: 2px;">17-5/8" x 23-1/2"</td> <td style="padding: 2px;">23-1/2" x 29-1/2"</td> <td style="padding: 2px;">35-1/2" x 35-1/2"</td> </tr> <tr> <td></td> <td style="padding: 2px;">17-5/8" x 35-3/8"</td> <td style="padding: 2px;">23-1/2" x 35-3/8"</td> <td style="padding: 2px;">47-1/2" x 47-1/2"</td> </tr> </table>	11-3/4" x 11-3/4"	14-5/8" x 29-5/8"	23-1/2" x 23-1/2"	23-7/8" x 35-7/8"	11-3/4" x 23-1/2"	15-3/4" x 15-3/4"	23-3/4" x 23-3/4"	23-7/8" x 47-7/8"	11-3/4" x 36 11-7/8" x 47-7/8"	15-3/4" x 23-5/8"	23-7/8" x 23-7/8"	29-1/2" x 29-1/2"	12" x 36"	17-5/8" x 17-5/8"	24" x 24"	29-3/4" x 2 9-3/4"	14-1/2" x 14-1/2"	17-5/8" x 23-1/2"	23-1/2" x 29-1/2"	35-1/2" x 35-1/2"		17-5/8" x 35-3/8"	23-1/2" x 35-3/8"	47-1/2" x 47-1/2"
11-3/4" x 11-3/4"	14-5/8" x 29-5/8"	23-1/2" x 23-1/2"	23-7/8" x 35-7/8"																						
11-3/4" x 23-1/2"	15-3/4" x 15-3/4"	23-3/4" x 23-3/4"	23-7/8" x 47-7/8"																						
11-3/4" x 36 11-7/8" x 47-7/8"	15-3/4" x 23-5/8"	23-7/8" x 23-7/8"	29-1/2" x 29-1/2"																						
12" x 36"	17-5/8" x 17-5/8"	24" x 24"	29-3/4" x 2 9-3/4"																						
14-1/2" x 14-1/2"	17-5/8" x 23-1/2"	23-1/2" x 29-1/2"	35-1/2" x 35-1/2"																						
	17-5/8" x 35-3/8"	23-1/2" x 35-3/8"	47-1/2" x 47-1/2"																						
PAVER THICKNESS (CERTAIN THICKNESS MAY NOT BE AVAILABLE FOR ALL SIZES)	MINIMUM = 1 1/4" MAXIMUM = 3"																								
PAVER FINISHES	ARCHITECTURAL - EXPOSED WASHED AGGREGATES BRICKED FACE - STIPPLE - DIAMOND																								
PAVER COLORS	SEE PAGES 12 & 13 FOR PAVER COLOR OPTIONS																								
COMPRESSIVE STRENGTH	MINIMUM OF 8,500 POUNDS PER SQUARE INCH (PSI)																								
FLEXURAL STRENGTH	MINIMUM OF 1,100 POUNDS PER SQUARE INCH (PSI)																								
DENSITY	150 POUNDS PER CUBIC FOOT																								
WATER ABSORPTION RATE	LESS THAN 4.1 PERCENT																								
FREEZE / THAW	NO MORE THAN 1 PERCENT LOSS OF DRY WEIGHT (50 cycles)																								



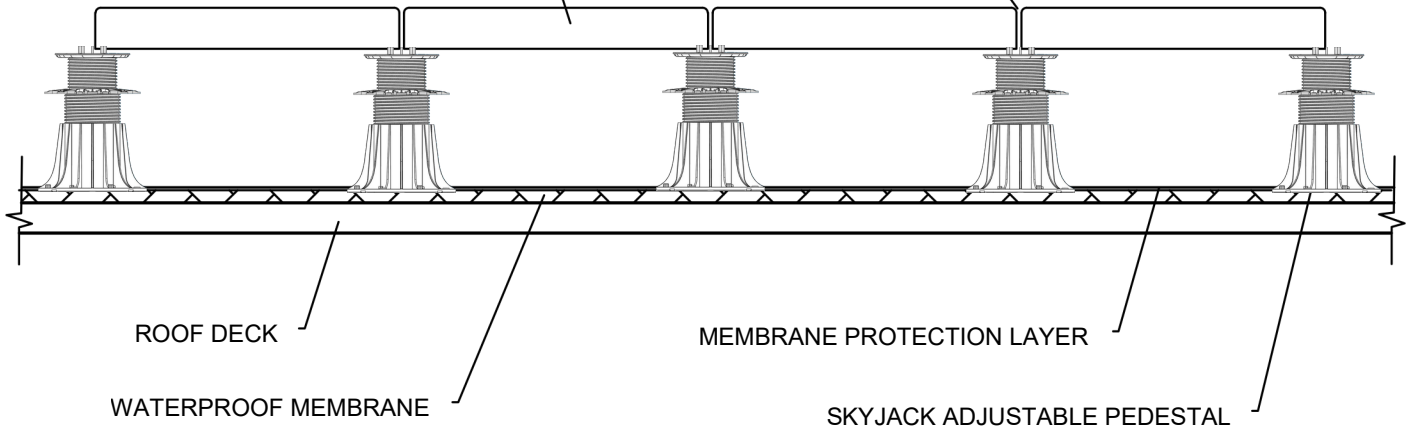
PAVER or WOOD TILE ON PEDESTALS

SKYWALK PAVERS
Elevated Patio System by SKYDECK USA
www.skydeckusa.com
INFO@skydeckusa.com



SKYWALK ARCHITECTURAL CONCRETE PAVER
23.5" SQUARE (TYP.), 2" THICKNESS (TYP.)

$\frac{3}{16}$ " SPACER GAP (TYP.)





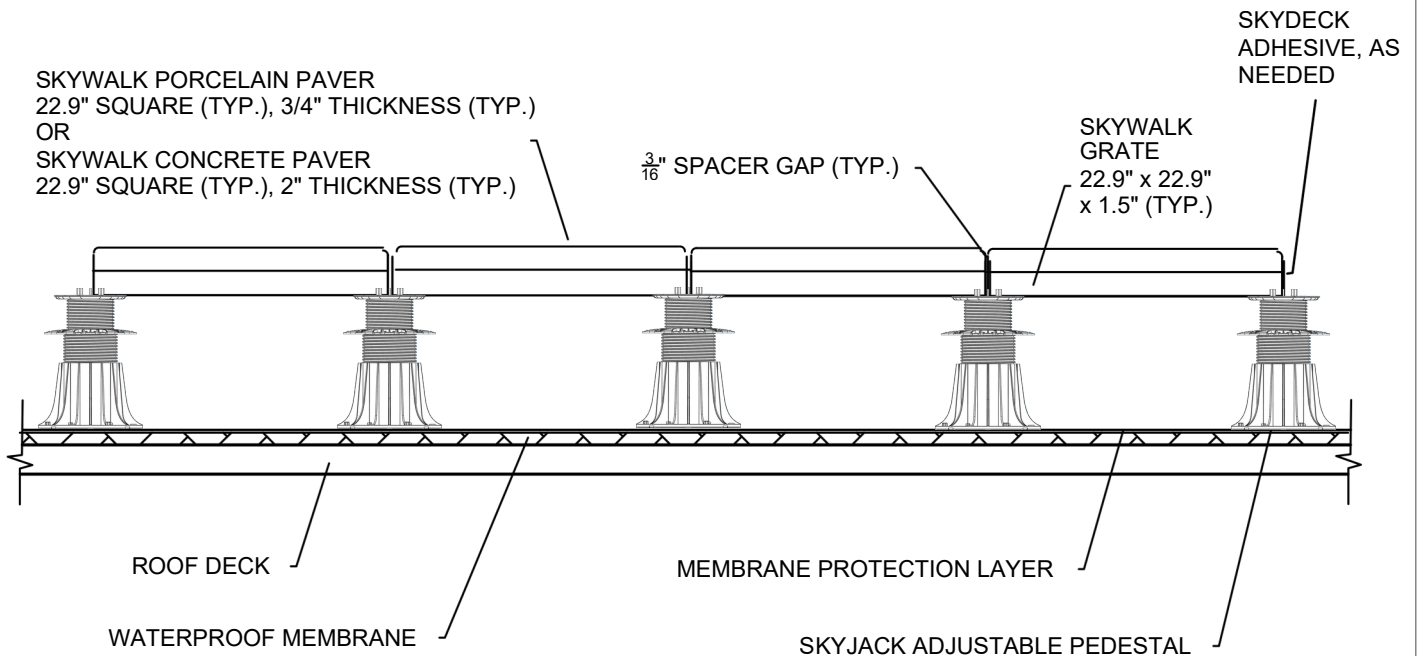
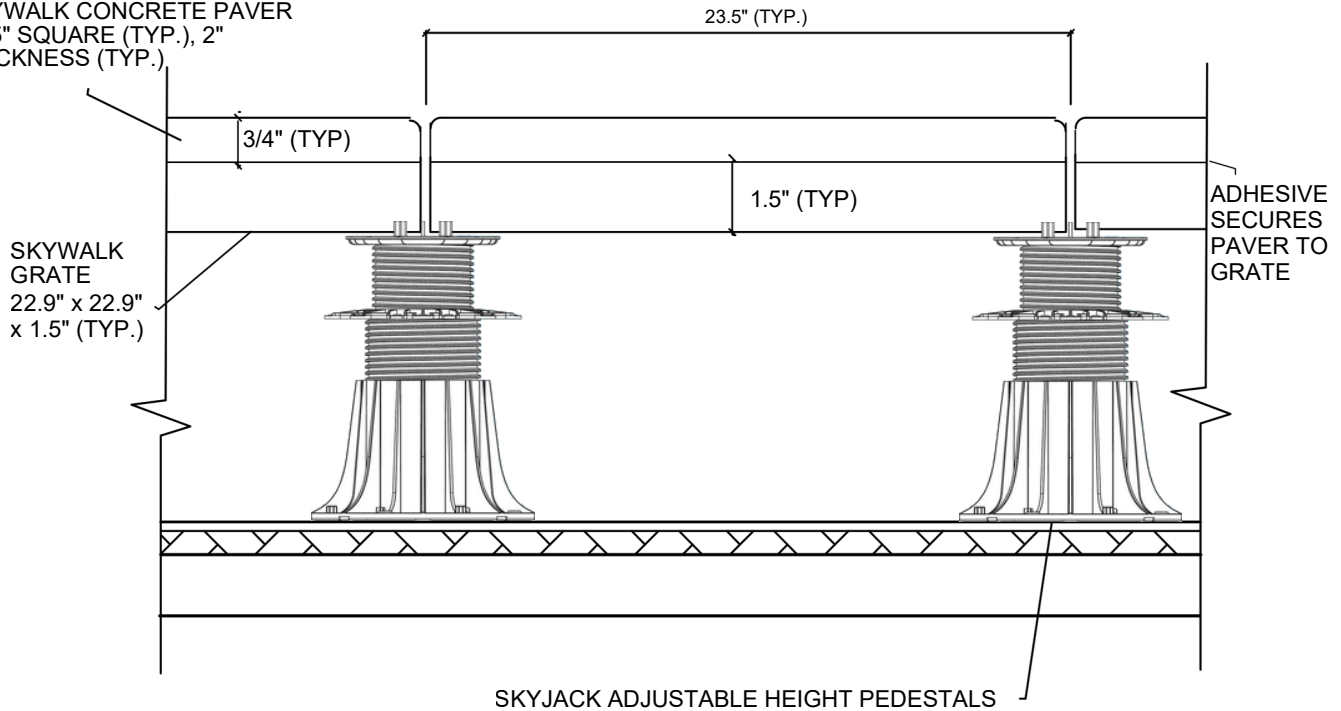
skydeck
— Usa —

PAVER on GRATE - PEDESTAL

SKYWALK PAVERS
Elevated Patio System by SKYDECK USA

www.skydeckusa.com
INFO@skydeckusa.com

SKYWALK PORCELAIN PAVER
23.5" SQUARE (TYP.), 3/4"
THICKNESS (TYP.)
OR
SKYWALK CONCRETE PAVER
23.5" SQUARE (TYP.), 2"
THICKNESS (TYP.)



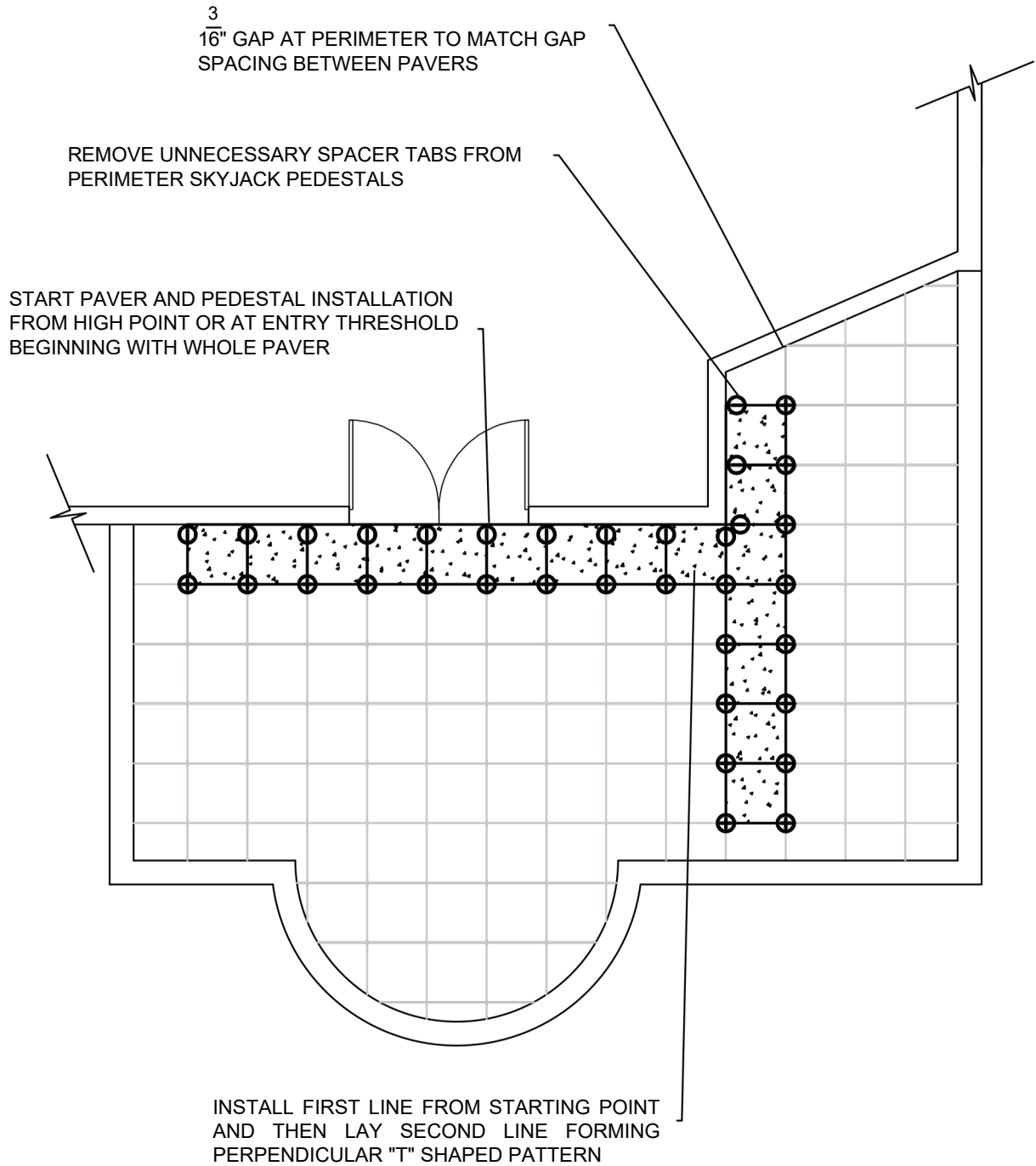


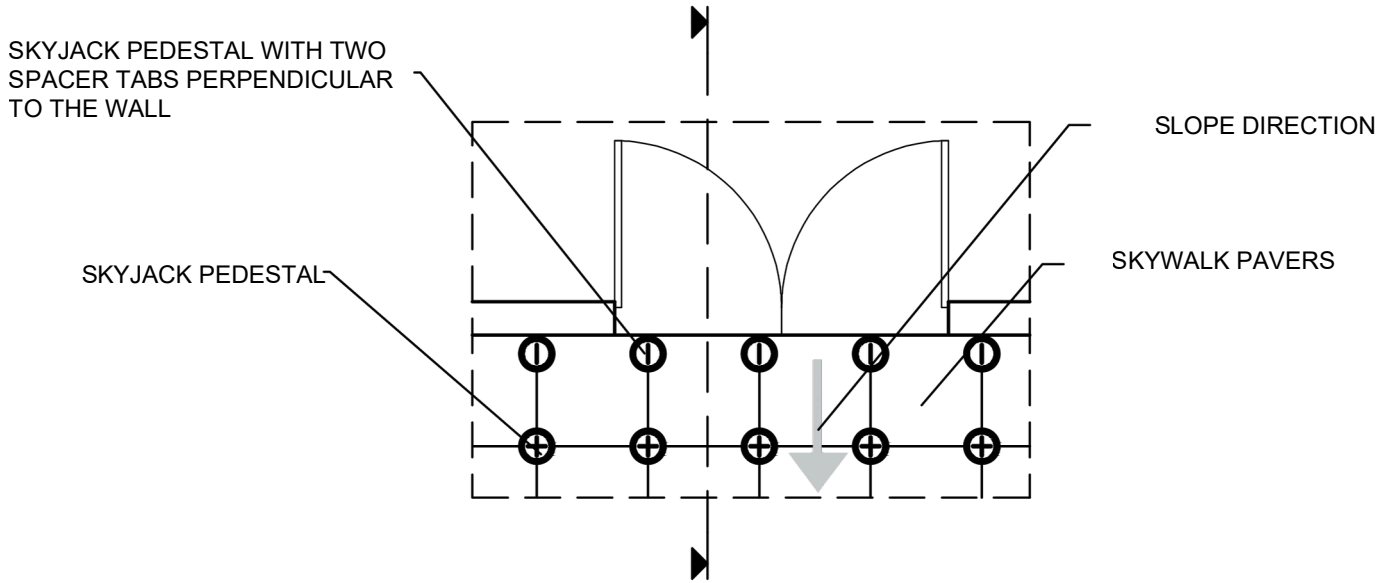
skydeck
usa

PAVER - PEDESTAL LAYOUT

SKYWALK PAVERS
Elevated Patio System by SKYDECK USA

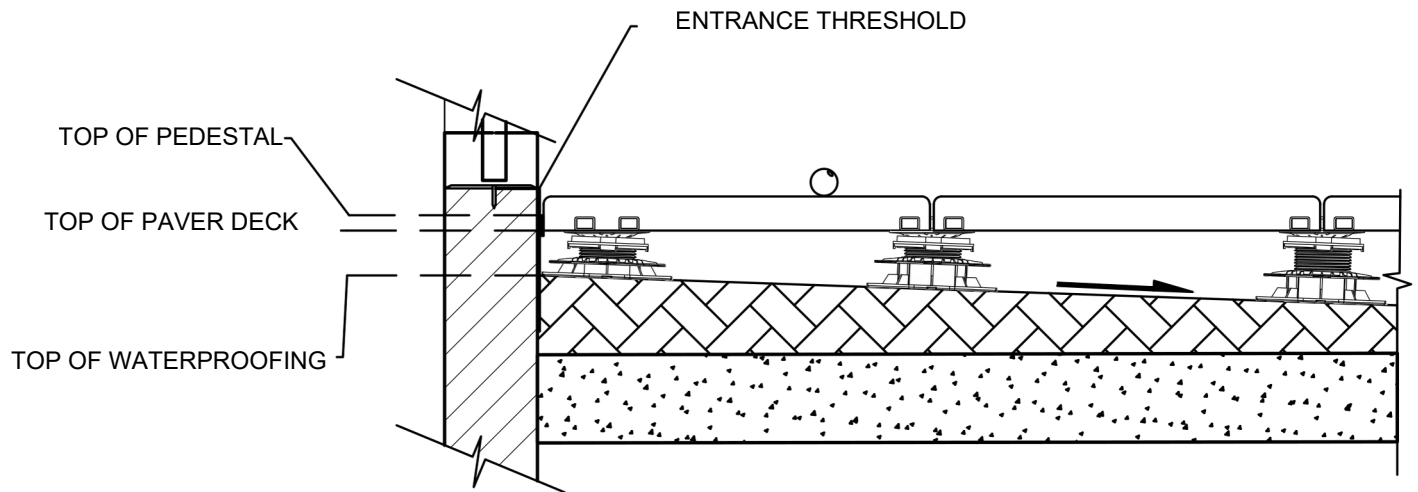
www.skydeckusa.com
info@skydeckusa.com





ENLARGED PLAN VIEW

THRESHOLD PEDESTAL / PAVER APPLICATION - SECTION DETAILS



NOTES:

1. INSTALLATION MUST BE COMPLETED IN ACCORDANCE WITH SKYDECK PRODUCT SPECIFICATIONS.
2. DRAWINGS NOT TO SCALE
3. TOP OF PAVER MUST BE BELOW ENTRANCE DOOR THRESHOLD.
4. MORE INFORMATION AVAILABLE AT www.skydeckusa.com



skydeck
— Usa —

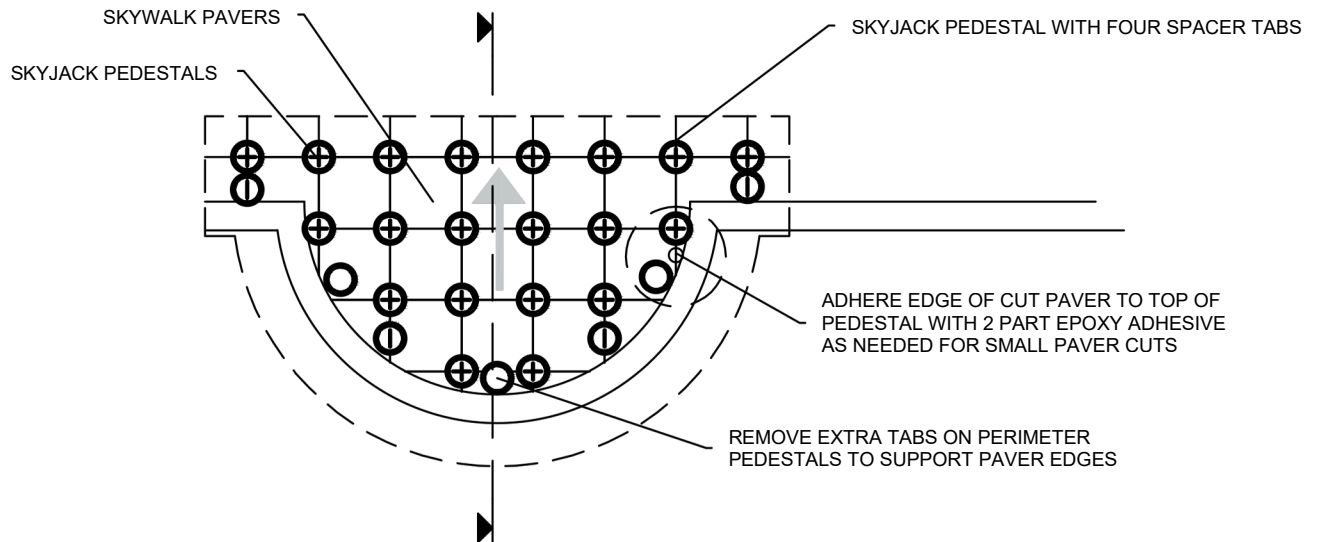
RADIUS PAVER / PEDESTAL LAYOUT

SKYWALK PAVERS

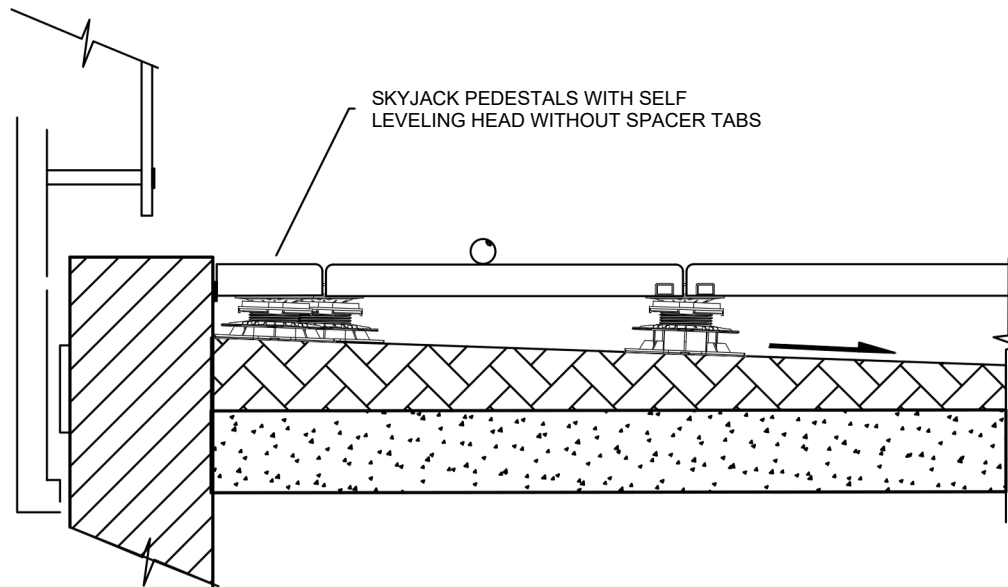
Elevated Patio System by SKYDECK USA

www.skydeckusa.com
info@skydeckusa.com

ENLARGED PLAN VIEW



RADIUS PEDESTAL / PAVER APPLICATION - SECTION DETAIL

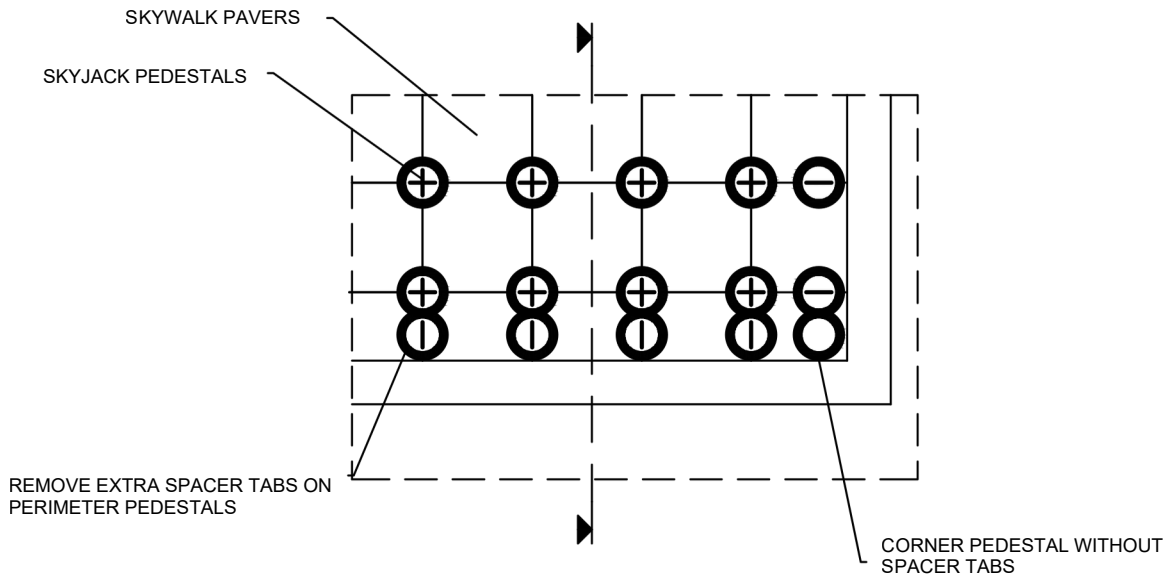


NOTES:

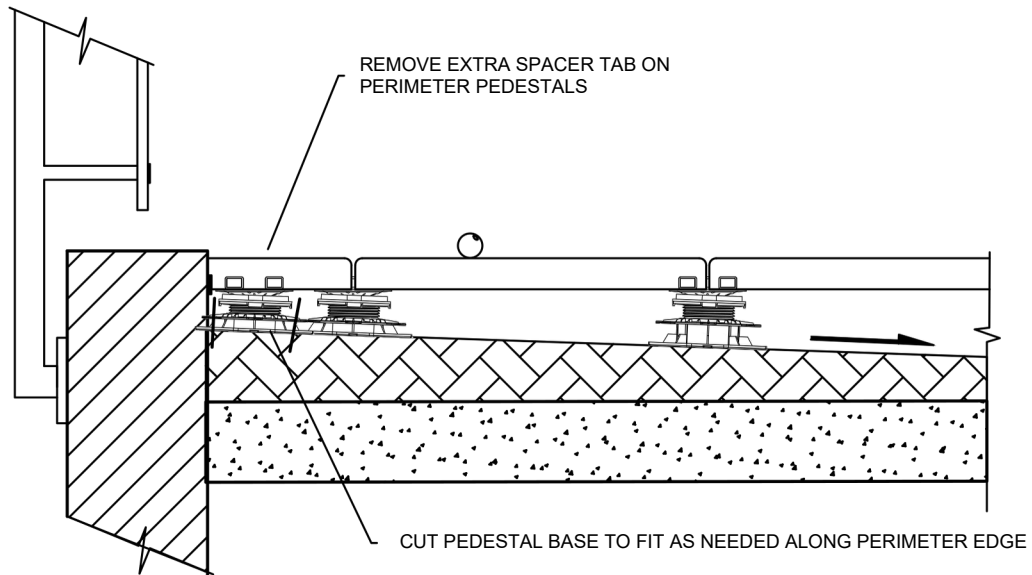
1. INSTALLATION MUST BE COMPLETED IN ACCORDANCE WITH SKYDECK PRODUCT SPECIFICATIONS.
2. DRAWINGS NOT TO SCALE.
3. USE OF SELF LEVELING HEADS RECOMMENDED ON SLOPED AREAS.
4. MORE INFORMATION AVAILABLE AT www.skydeckusa.com



ENLARGED PLAN VIEW



CORNER PEDESTAL APPLICATION

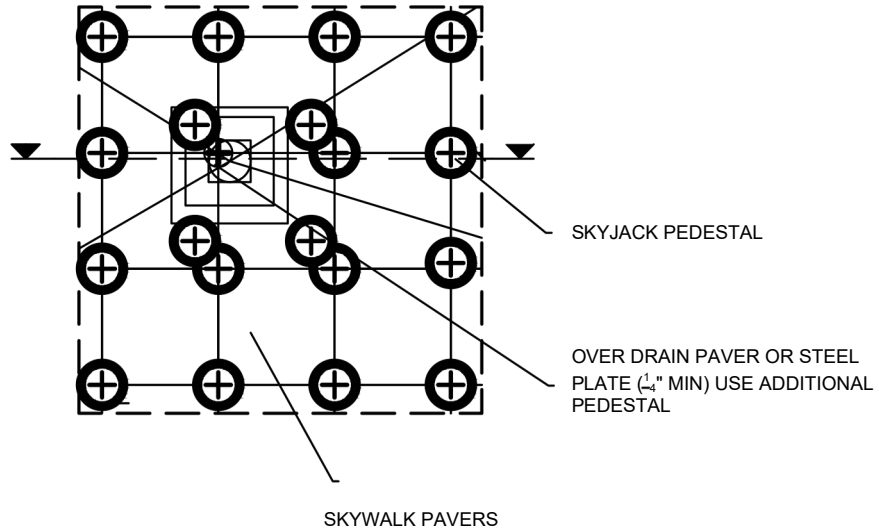


NOTES:

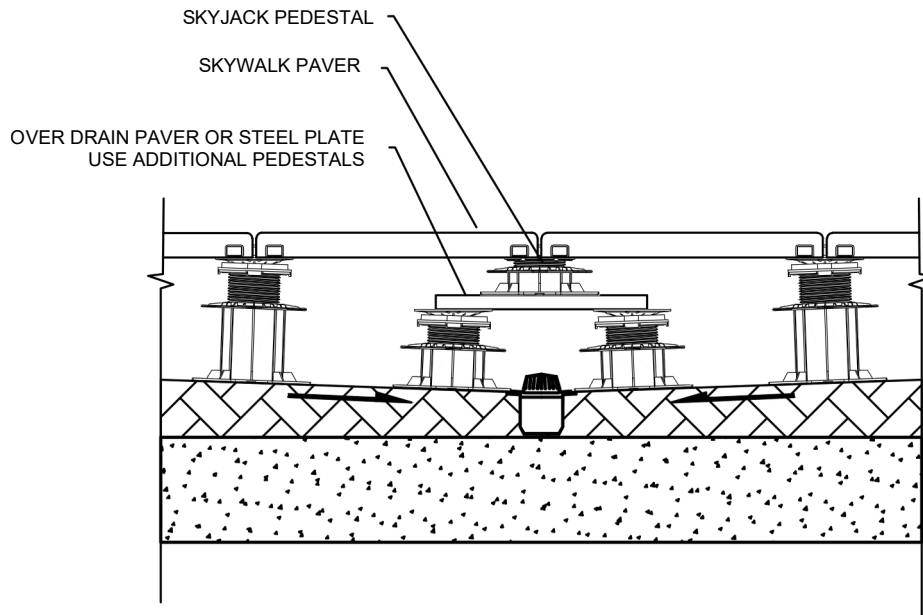
1. INSTALLATION MUST BE COMPLETED IN ACCORDANCE WITH SKYDECK PRODUCT SPECIFICATIONS.
2. DRAWINGS NOT TO SCALE.
3. USE OF SELF LEVELING HEADS RECOMMENDED ON SLOPED AREAS.
4. MORE INFORMATION AVAILABLE AT www.skydeckusa.com



ENLARGED PLAN VIEW



ROOF DRAIN APPLICATION

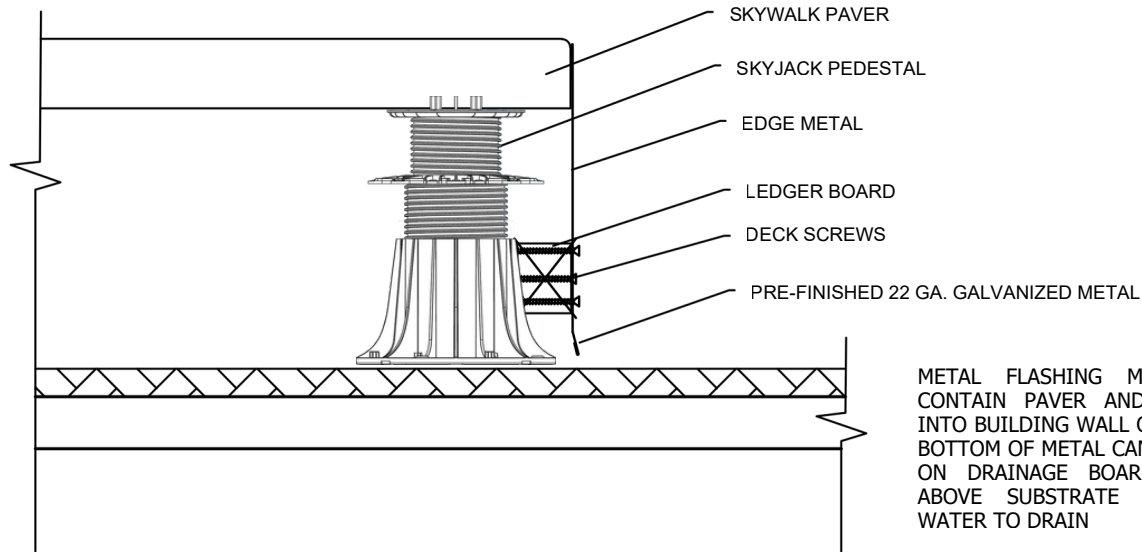


NOTES:

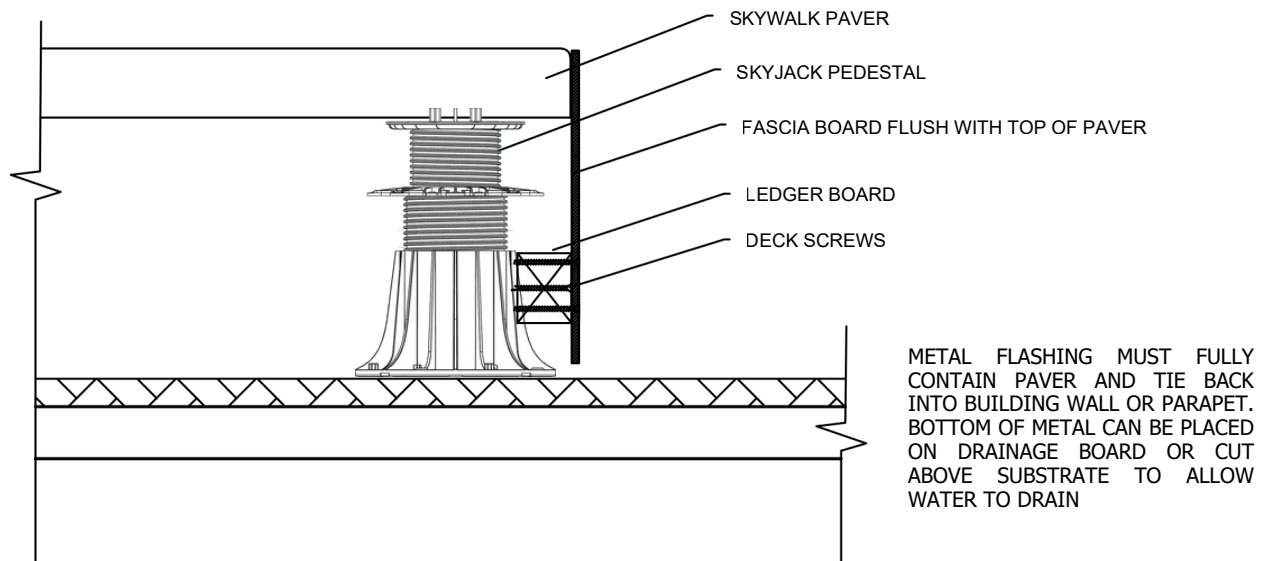
1. INSTALLATION MUST BE COMPLETED IN ACCORDANCE WITH SKYDECK PRODUCT SPECIFICATIONS.
2. DRAWINGS NOT TO SCALE.
3. USE OF SELF LEVELING HEADS RECOMMENDED ON SLOPED AREAS.
4. MORE INFORMATION AVAILABLE AT www.skydeckusa.com



METAL EDGING CONTAINMENT



WOOD FASCIA CONTAINMENT



NOTES:

1. INSTALLATION MUST BE COMPLETED IN ACCORDANCE WITH SKYDECK PRODUCT SPECIFICATIONS.
2. DRAWINGS NOT TO SCALE.
3. USE OF SELF LEVELING HEADS RECOMMENDED ON SLOPED AREAS.
4. MORE INFORMATION AVAILABLE AT www.skydeckusa.com



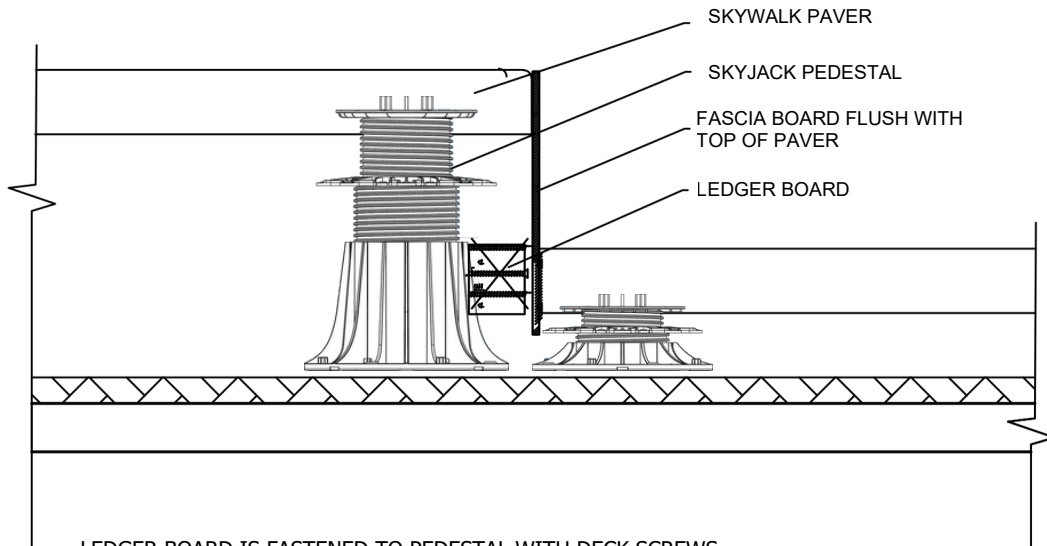
skydeck
— Usa —

PAVER CONTAINMENT DETAIL

SKYWALK PAVERS
Elevated Patio System by SKYDECK USA

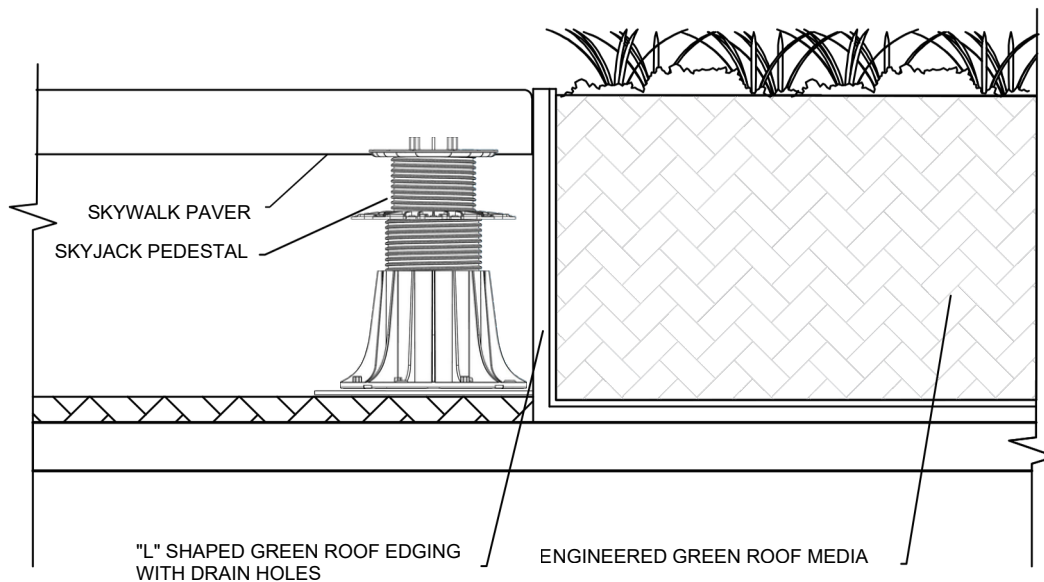
www.skydeckusa.com
info@skydeckusa.com

STEP DOWN CONTAINMENT



LEDGER BOARD IS FASTENED TO PEDESTAL WITH DECK SCREWS.
THE FASCIA BOARD IS FASTENED TO THE LEDGER BOARD WITH
FINISH SCREWS AND FUNCTIONS AS CONTAINMENT TO PREVENT
LATERAL MOVEMENT OF PAVERS.

GREEN ROOF CONTAINMENT



NOTES:

1. INSTALLATION MUST BE COMPLETED IN ACCORDANCE WITH SKYDECK PRODUCT SPECIFICATIONS.
2. DRAWINGS NOT TO SCALE.
3. USE OF SELF LEVELING HEADS RECOMMENDED ON SLOPED AREAS.
4. MORE INFORMATION AVAILABLE AT www.skydeckusa.com



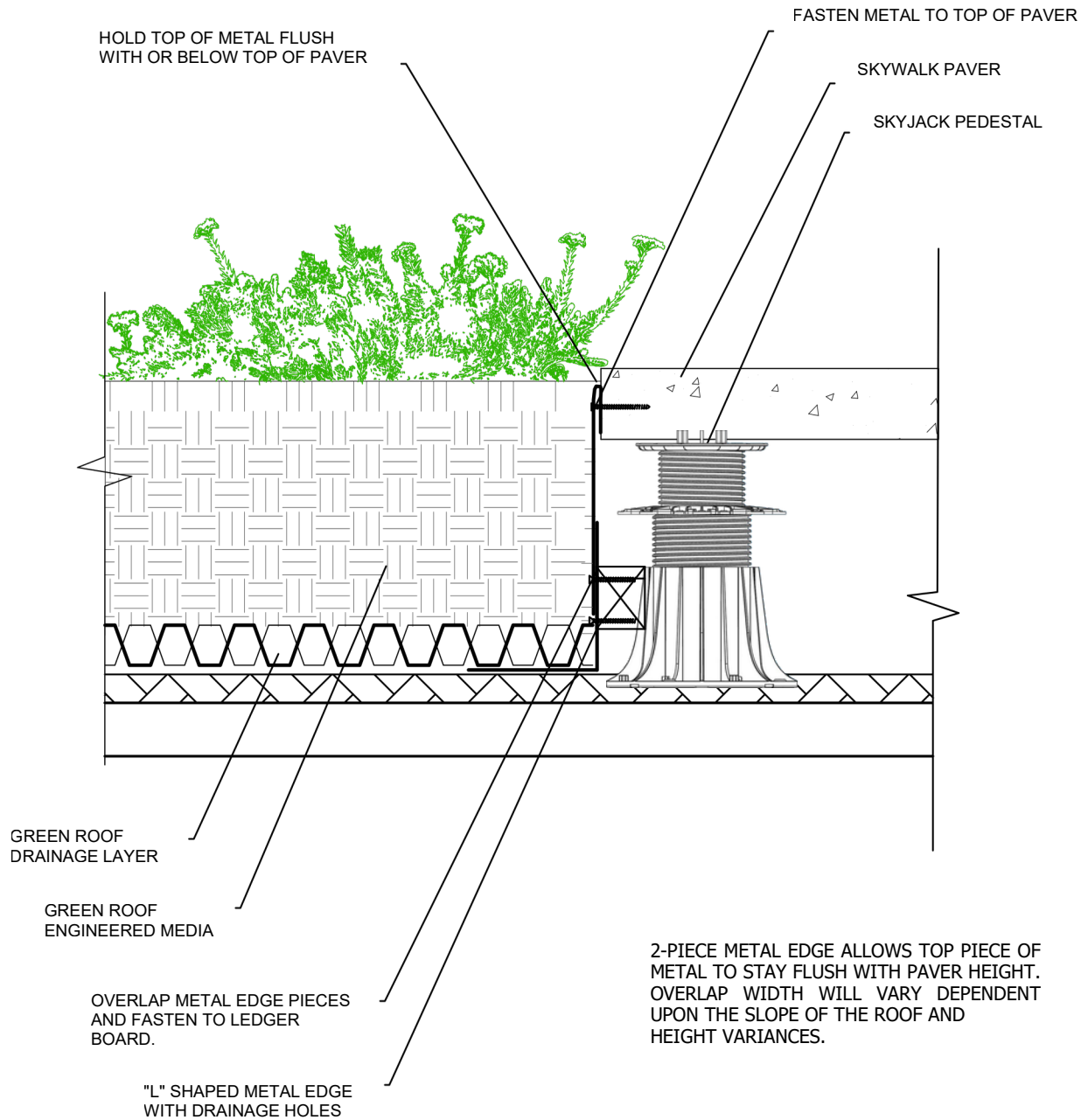
skydeck
— Usa —

PAVER CONTAINMENT DETAIL

SKYWALK PAVERS

Elevated Patio System by SKYDECK USA

www.skydeckusa.com
info@skydeckusa.com



NOTES:

1. INSTALLATION MUST BE COMPLETED IN ACCORDANCE WITH SKYDECK PRODUCT SPECIFICATIONS.
2. DRAWINGS NOT TO SCALE.
3. USE OF SELF LEVELING HEADS RECOMMENDED ON SLOPED AREAS.
4. MORE INFORMATION AVAILABLE AT www.skydeckusa.com



skydeck
USA
Rooftop Patios. Simply Done.

SECTION 07 76 00
ROOF PEDESTAL CONCRETE PAVER SYSTEM WITH WINDSTRONG
ENGINEERED PAVER RESTRAINT SYSTEM FOR WIND UPLIFT

PART 1 GENERAL

1.1 SECTION INCLUDES:

- A. Adjustable pedestal supports.
- B. Rooftop concrete pavers / tiles.
- C. WindStrong engineered paver restraint system for wind uplift restraint of pedestal-supported rooftop concrete paver systems.
- D. WindStrong-compatible SkyWalk concrete pavers with recessed corners where required for restraint components.
- E. WindStrong clips, stainless steel securing screws, EPDM rubber base pads, architectural caps, and related accessory components.

1.2 RELATED SECTIONS:

- A. Section 04 22 00 - Concrete Unit Masonry.
- B. Section 04 40 00 - Stone Assemblies.
- C. Section 61 50 00 - Wood Decking.
- D. Section 07 33 63 - Vegetated Roof System.
- E. Section 07 55 00 - Membrane Roofing.
- F. Section 09 69 00 - Access Flooring.

1.3 REFERENCES

- A. American National Standards Institute (ANSI):
 - 1. ANSI A137.1 - Standard Specifications For Ceramic Tile.
- B. ASTM International (ASTM):
 - 1. ASTM C67 - Standard Test Methods for Sampling and Testing Brick and Structural Clay Tile.
 - 2. ASTM C140 - Standard Practice for Capping Concrete Masonry Units, Related Units and Masonry Prisms for Compression Testing.
 - 3. ASTM C293 - Standard Test Method for Flexural Strength of Concrete (Using Simple

- Beam With Center-Point Loading).
4. ASTM C936 - Standard Specification for Solid Concrete Interlocking Paving Units.
 5. ASTM C1491 - Standard Specification for Concrete Roof Pavers.
 6. ASTM E330/E330M - Standard Test Method for Structural Performance of Exterior Windows, Doors, Skylights and Curtain Walls by Uniform Static Air Pressure Difference.

1.4 SUBMITTALS

- A. Submit under provisions of Section 01 30 00.
- B. Product Data:
 1. Manufacturer's data sheets on each product to be used.
 2. Preparation instructions and recommendations.
 3. Storage and handling requirements and recommendations.
 4. Typical installation methods.
 5. WindStrong System Product Data: Submit manufacturer data for WindStrong clips, stainless steel securing screws, EPDM rubber base pads, Architectural Cap finishes, WindStrong-compatible recessed concrete pavers, and compatible SkyJack pedestal components.
 6. Wind Uplift Testing Data: Submit manufacturer test information indicating ASTM E330 testing and negative design pressure rating for the WindStrong system where applicable to the submitted assembly.
 7. Component Compatibility: Submit confirmation that proposed paver size, layout pattern, pedestal model, cap color, and restraint components are compatible with the WindStrong system.
- C. Verification Samples:
 1. Architectural Pavers: Submit samples for type, color and texture required.
 2. Pedestals: Submit samples of each pedestal component.
 3. WindStrong Components: Submit samples of WindStrong clip, EPDM rubber base pad, securing screw, and Architectural Cap in selected finish.
 4. WindStrong-Compatible Paver: Submit sample showing recessed corner configuration required to receive the rubber base pad, WindStrong clip, and Architectural Cap.
- D. Shop Drawings: Include details of materials, construction, and finish. Include relationship with adjacent construction.
 1. Scaled drawings to include plan of installation area, layout of all paver and pedestal areas, starting point and elevations, and construction details at critical terminations of pedestal paver system with adjacent construction.
 2. Shop drawings shall identify WindStrong restraint component locations, paver layout and pattern, and interface with adjacent walls, parapets, edge restraints, drains, doors, and other penetrations or interruptions.
 3. The necessity for and design of an upturned ledger angle or other perimeter support detail should be determined by the project engineer or other qualified design professional, not by SkyDeck USA.
- E. Delivery, storage and handling requirements and recommendations.
- F. Installer shall be experienced in rooftop pedestal paver installations and shall install the system in accordance with Skydeck USA's published installation instructions and approved project documents.
- G. Warranty: Submit manufacturer warranty and ensure Owner's name is registered with manufacturer.

1.5 QUALITY ASSURANCE

- A. Manufacturer Qualifications: Company specializing in manufacturing products specified in this section with a minimum of five years documented experience.
- B. Single Source Responsibility: Manufacturer shall provide the following:
 - 1. WindStrong-compatible SkyWalk recessed concrete pavers
 - 2. Pedestal Support System
 - 3. WindStrong Engineered Paver Restraint System components
 - 4. Adhesive for perimeter pavers
- C. Installer Qualifications: Installers shall be experienced in rooftop pedestal paver installations and shall install the system in accordance with Skydeck USA's published installation instructions, approved submittals, and project documents.
- D. WindStrong Performance: WindStrong system has been tested in accordance with ASTM E330 and achieved a negative design pressure rating of -70 psf, including a 2x safety factor, for the tested assembly. Project-specific wind design requirements, roof zones, edge conditions, building height, exposure category, parapet conditions, substrate conditions, and local code requirements shall be verified by the project engineer or other qualified design professional.
- E. Wind Design Responsibility: Manufacturer test data is not a substitute for project-specific engineering. The project design professional shall determine whether the WindStrong system and any related perimeter or ledger restraint details are suitable for the project-specific wind uplift loads and applicable codes.
- F. Preconstruction Testing: Conduct to verify following.
 - 1. Membrane Roofing Manufacturer: Conduct inspection by certified manufacturer's technical representative to verify that the in-place membrane roofing system meets the manufacturer's specifications, is waterproof, and is approved for installation of the pedestal paver system. Verify membrane protection layer (if required) and other requirements to maintain roofing manufacturer's warranty provisions. A copy of the inspection report shall be submitted to the pedestal paver manufacturer prior to installation of the pedestal paver system.
 - 2. Membrane Integrity Test: The roof area or portions thereof shall be leak tested by means of electronic testing or flood testing for a period of 48 hours to check the integrity of the membrane installation. The Membrane integrity test shall be conducted by roof membrane contractor and attested in writing to pedestal paver manufacturer by the roofing contractor prior to the pedestal paver system being installed.
- G. Mock-Up: Construct a mock-up with actual materials in sufficient time for Architect's review and to not delay construction progress.
 - 1. The intent of mock-up is to demonstrate quality of workmanship and visual appearance.
 - 2. If mock-up is not acceptable, rebuild mock-up until satisfactory results are achieved.
 - 3. Retain mock-up during construction as a standard for comparison with completed work.
 - 4. Do not alter or remove mock-up until work is completed or removal is authorized.

1.6 PRE-INSTALLATION CONFERENCE

- A. Convene a conference approximately two weeks before scheduled commencement of the Work. Attendees shall include Architect, Contractor and trades involved. Agenda shall include schedule, responsibilities, critical path items and approvals.

1.7 DELIVERY, HANDLING, STORAGE, PROTECTION

- A. Deliver materials to project site in the original packaging with the manufacturer's labels intact

and legible.

- B. Inspect all materials to ensure they are undamaged and in good condition.
- C. Store materials in a clean, dry, and protected location.
- D. Ensure waterproofing membrane is not damaged while delivering, storing, or handling material.
- E. Take measures to locate and spread loads in manner to not exceed load capacity of roof deck.
- F. Store paver and pedestal components and materials over plywood panels or protective sheeting. Do not allow products, grit, debris, and pedestrian traffic on unprotected roofing. During installation, protect the roof deck and membranes with appropriate material such as plywood sheeting. Never scrape or puncture membrane protection layer or membranes.
- G. Keep roof surfaces free of soil, grit, or debris at all times.

1.8 PROJECT CONDITIONS

- A. Maintain environmental conditions (temperature, humidity, precipitation) within limits recommended by manufacturer for optimum results. Do not install products in any unsafe condition, inclement weather or under environmental conditions outside the manufacturer's recommended limits.
- B. Deck supports specified are to be used with pedestrian traffic only. All four sides of the deck system must restrain and contain the decking panels with perimeter blocking or walls. Decking panels must not be allowed to move laterally.
- C. WindStrong restraint components are intended for pedestrian rooftop paver applications using compatible SkyWalk concrete pavers and compatible SkyJack pedestals. Do not use WindStrong components for vehicular traffic or other applications not approved by manufacturer. Do not allow other trades to walk on, work on or carry materials across the paver pedestal system.
- D. WindStrong assemblies shall be used only with compatible pedestal heights and paver configurations approved by Skydeck USA. WindStrong shall be used with SD-M pedestals or taller compatible SkyJack pedestals.
- E. All membrane waterproofing and protection board surfaces to receive pedestals must be frost/ice free, and free of dirt, oil, debris, or any rough foreign matter, which may impair the waterproofing / roofing manufacturers guarantee or protection requirements.
- F. Installation or anticipated installation of additional heavy roof top feature such as, planters, benches, water features, industrial equipment etc. must be supported directly by additional pedestals that are in addition to the main deck paver pedestal system. Failure to adequately support the additional weight of any such features or items may cause significant damage to the deck, underlying structure, or waterproofing. Hot tubs should be installed directly on the roof not on the pedestal paver system. Heavy objects must never be moved across the paver area and should be installed prior to the paver pedestal system.
- G. All decks shall be designed to not exceed the design capacity of the pedestal or paver, whichever has the lower weight capacity.
- H. The substrate immediately below the pedestal supports shall provide positive and adequate drainage in accordance with good building practice and applicable building codes.

- I. Do not install Sky Deck Pedestal Paver System over any insulation less than 60psi or with low-density polystyrene (bead board insulation).

1.9 WARRANTY

- A. Manufacturer's Warranty: Paver and pedestal system manufacturer shall warrant the materials to remain free from defects for a period of three (3) years.
 1. SkyWalk Concrete Pavers: Limited 3 year warranty.
 2. SkyJack Pedestal System: Limited 3 year warranty.
- B. WindStrong Paver Restraint System Components: Limited 3 year warranty.
- C. Contractor's Warranty: The contractor shall warrant the work to remain free from defects of labor and materials used in conjunction with their work in accordance with the general conditions for this project for a maximum period of two (2) years.

PART 2 PRODUCTS

2.1 MANUFACTURERS

- A. Manufacturer: Skydeck USA, which is located at: 1181 58th St SW, Wyoming, MI 49509
Tel: 502-230-3325; Email: info@skydeckusa.com; https://skydeckusa.com
- B. Skydeck USA WindStrong™ Paver Restraint System with SkyWalk concrete pavers and SkyJack adjustable pedestals.
- C. Substitutions: Substitutions shall meet or exceed the performance, component compatibility, wind uplift restraint, paver integration, and installation requirements of the specified system and shall be submitted for review prior to approval.

2.2 MATERIALS

- A. SkyJack Adjustable Height and Slope Compensating Pedestals
 1. Material: Fully Recyclable High Density Copolymer Poly Propylene (HDCPP)
 - a. Resistant to UV Radiation, Aging and Decay.
 2. Temperature Range: -20 to 200 degrees F (-29 to 93 degrees C).
 3. WindStrong-compatible Pedestal Height Range: 2" up to 37.75". SD-M pedestals or taller. For pedestal heights over 21.75", use SkyHeights Pedestal Bracing System.
 4. Pedestal Bracing System: For pedestal applications over 21-3/4 inches (552 mm) in height.
 5. Weight Bearing Design Capacity: 2150 lbs (975 kg) per pedestal.
 6. Spacer Tabs: 3/16 inch (5 mm).
 8. Slope Stabilization Head: Compensates for slope up to 7 percent.
Pedestal Components:
 - 1) Model SD-M: A base, screw ring, screw, and spacer tabs.
 - a) Comes in one assembled piece with spacer tabs in a separate bag.
 - b) Height Adjustment: Made by twisting the ergonomic handles, using the hand tool or the drill bit tool.
 - c) Adjustment Range: 1.75 to 3 inches (44 to 75 mm).
 - 2) Model SD-L: A base, screw ring, screw, and spacer tabs.
 - a) Comes in one assembled piece with spacer tabs in a separate bag.
 - b) Height Adjustment: Made by twisting the ergonomic handles, using the hand tool or the drill bit tool.
 - c) Adjustment Range: 3 to 6 inches (75 to 150 mm).

- 3) Adjustable Pedestal Model SD-XL: A base, screw ring, screw, and spacer tabs.
 - a) Comes in one assembled piece with spacer tabs in a separate bag.
 - b) Height Adjustment: Made by twisting the ergonomic handles, using the hand tool or the drill bit tool.
 - c) Adjustment Range: 6 to 13.75 inches (150 to 349 mm).

- 4) Extender Sleeve:
 - 1) Model SD-XL-EXT. 8" extender sleeve used to increase the height range of SD-XL pedestals.
 - a) Screws into the SD-XL pedestal base.
 - b) The screw head is applied to the extender top.

 - 2) Pedestal Heights Greater than 21-3/4 inches (552 mm): Use Skydeck USA SkyHeights bracing system to stabilize pedestals.

- 5) Base Slope Corrector:
 - 1) Model SD-BSC. Placed underneath the SD-M, SD-L and SD-XL pedestals to compensate for slopes up to 5 percent.
 - a) Twist to adjust the slope correction from 0 to 5 percent.

 - b) Base slope correctors are required on pedestals 21.75" or taller.

- 6) Regulation Shim: Used to eliminate uneven pavers and to compensate small differences in height of terrace pavers. Can be cut into halves and quarters, as necessary.
 - 1) Model SD-XL-SH2. Used with all adjustable pedestals.
 - 2) Thickness: 1/16 inches (1.6 mm).

B. WindStrong Engineered Paver Restraint System.

1. System Description: Non-penetrating, mechanically restrained wind uplift restraint system for pedestal-supported rooftop concrete paver assemblies, consisting of compatible SkyJack pedestals, WindStrong-compatible recessed SkyWalk concrete pavers, EPDM rubber base pads, WindStrong clips, stainless steel securing screws, and snap-in Architectural Caps.
2. Performance: Tested in accordance with ASTM E330; achieved negative design pressure rating of -70 psf, including a 2x safety factor, for the tested assembly.
3. WindStrong Clip: High-strength restraint clip used to lock adjacent recessed concrete paver corners together and resist wind uplift. Approximate exposed cap footprint: 5 inches by 5 inches. Clip shall be secured to compatible SkyJack pedestal head with manufacturer-approved stainless steel screw. Do not over-tighten.
4. Securing Screw: Manufacturer-approved stainless steel screw used to fasten WindStrong clip to compatible SkyJack pedestal head. Provide minimum one securing

screw per WindStrong clip unless otherwise required by manufacturer or project-specific engineering.

5. Rubber Base Pad: EPDM rubber shim/base pad set into recessed paver corner to provide stable bearing surface for WindStrong clip and Architectural Cap. Approximate size: 5 inches by 5 inches unless otherwise indicated by manufacturer.
6. Architectural Cap: Snap-in cap used to conceal WindStrong clip hardware and provide finished appearance. Available finishes include Matte Black, Sandstone Tan, Stone Gray, and Limestone White.
7. WindStrong-Compatible SkyWalk Concrete Pavers: Concrete pavers with recessed corners designed to accept the rubber base pad, WindStrong clip, and Architectural Cap. Available in SkyWalk concrete paver sizes, colors, and running bond patterns approved by manufacturer.
8. Optional Protection Pad: Durable protection pad placed directly on roofing membrane below pedestal to provide membrane protection and sound dampening where specified.
9. Perimeter and Corner Zone Adhesive: Where required by project documents, wind design, or manufacturer instructions, apply manufacturer-approved adhesive at perimeter and corner pedestal heads to bond perimeter pavers to pedestal heads. Adhesive selection, compatibility with roofing membrane and pedestal materials, cure conditions, and application rates shall be verified for project conditions.
10. Perimeter ledger: Where required by project documents, wind design or project engineer, ledger should be mechanically fastened to parapet or building structure to pin down perimeter pavers.
11. Compatibility: WindStrong components shall be used only with compatible SkyDeck USA SkyWalk concrete pavers, compatible SkyJack adjustable pedestals, and approved roof assembly conditions. Verify compatibility with roof assembly, waterproofing system, insulation, protection board, paver size, paver thickness, paver pattern, and pedestal layout before installation.

C. SkyWalk Architectural Concrete Patio Pavers.

1. Hydraulically pressed per ASTM C936.
2. Composition: Aggregates and cement, limestone, water, sand, with no chemicals or agents per ASTM C936.
3. Unit Weight: 90 lbs per ASTM C936.
4. Physical Concrete Properties:
 - a. Compressive Strength per ASTM C140/C1491: 8,500 psi.
 - b. Minimum Flexural Strength per ASTM C140/C1491: 1,100 psi.
5. WindStrong-compatible SkyWalk paver technical data require minimum flexural strength of 1,100 psi and maximum water absorption less than 4.1 percent when indicated by current manufacturer data.
 - a. Density: 150 lbs per cubic foot.
 - b. Water Absorption per ASTM C140: Not to exceed 4.1 percent.
 - c. Freeze Thaw: Not to exceed 1 percent loss of dry weight.
 - d. Freeze Thaw Resistance per ASTM C67: 50 cycles.
 - e. Dynamic Coefficient of Friction per ANSI A137.1; Wet: 0.80.
6. Type: Drain Paver.
7. Type: ADA-Certified.
8. Type: Brick-Faced.
9. Type: Diamond Cut.
10. Type: Aggregate.
11. Size: 11-3/4 x 11-3/4 inches (298 x 298 mm).
12. Size: 12 x 36 inches (305 x 914 mm).
13. Size: 15-3/4 x 15-3/4 inches (400 x 400 mm).
14. Size: 17-5/8 x 23-1/2 inches (448 x 597 mm).
15. Size: 18 x 18 inches (457 x 457 mm).
16. Size: 23-1/2 x 23-1/2 inches (597 x 597 mm).
17. Size: 23-1/2 x 35-3/8 inches (597 x 899 mm).
18. Size: 24 x 24 inches (610 x 610 mm).
19. Size: 35-1/2 x 35-1/2 (902 x 902 mm).

20. Size: ___ x ___ inches (___ x ___ mm).
21. Paver Thickness: ___ inches (must be 2" or thicker)
22. Paver Thickness: 3 inches (76 mm).
23. Color: Natural Diamond Cut Gray. Solar Reflective Index: 29
24. Color: Almond. Solar Reflective Index: 42
25. Color: Ginger. Solar Reflective Index: 34
26. Color: Meteor. Solar Reflective Index: 31
27. Color: Wheat. Solar Reflective Index: 47
28. Color: Light Gray. Solar Reflective Index: 38
29. Color: Speckled Gray. Solar Reflective Index: 38
30. Color: Medium Gray. Solar Reflective Index: 24
31. Color: Monument. Solar Reflective Index: 39
32. Color: Dark Gray. Solar Reflective Index: 17
33. Color: Salmon. Solar Reflective Index: 35
34. Color: Brick Red. Solar Reflective Index: 36
35. Color: Speckled Brick. Solar Reflective Index: 34
36. Color: Gold Rush. Solar Reflective Index: 34
37. Color: Moon Rock. Solar Reflective Index: untested
38. Color: Poolside Retreat. Solar Reflective Index: 52
39. Color: Scottsdale. Solar Reflective Index: 55
40. Color: Cloud. Solar Reflective Index: 41
41. Color: Arctic White. Solar Reflective Index: 85
42. Color: Black. Solar Reflective Index: untested
43. Color: Stoney Creek. Solar Reflective Index: untested
44. Color: Downtown Brown. Solar Reflective Index: untested

PART 3 EXECUTION

3.1 EXAMINATION

- A. Do not begin installation until substrates have been properly prepared and related work penetrating the plane of the roof is completed.
 1. Carefully inspect installed work of other trades and verify that such work is complete to the point where work of this section may properly commence.
 2. Notify the Architect in writing of the conditions detrimental to the proper and timely completion of work.
- B. Verify the Following:
 1. Substrates, membranes, and protection boards are ready for installation of pedestal and paver system.
 2. The roof deck will sustain the weight of the pedestal paver system.
 3. Deck dimensions and elevations and pedestal heights before commencing work.

3.2 PREPARATION

- A. Clean and prepare deck free of all debris in accordance with manufacturer's instructions.
- B. Install membrane protection layer under all pedestals if specified by roofing membrane manufacture.
- C. Establish accurate lines, levels, and pattern.

3.3 INSTALLATION

- A. Install in accordance with manufacturer's instructions, approved submittals, and in proper relationship with adjacent construction.
 1. Determine starting point and layout the paver and pedestal grid layout determining where full and cut pavers will be installed.
 2. Mark perpendicular guidelines on substrate surface to ensure square layout.
 3. Install initial pavers along guidelines forming a "T" pattern.
 4. Install Pavers tightly butted into pedestals. Form even joint width determined by

pedestal spacer tabs.

- B. For WindStrong installations, set compatible SkyJack pedestals and adjust to height. Add round shims as needed so recessed paver corners are flush and level. Set WindStrong-compatible recessed concrete pavers on pedestals and verify they are level, square, and aligned before installing restraint clips.
- C. After pavers are set, place EPDM rubber base pad in each recessed paver corner receiving WindStrong restraint. Install WindStrong clip over the recessed paver corners and fasten clip into compatible pedestal head with manufacturer-approved stainless steel screw. Do not over-tighten.
- D. Snap Architectural Cap into the WindStrong clip after clip installation is complete. Architectural Caps shall sit flush and conceal restraint hardware while maintaining intended joint appearance.
- E. Do not install WindStrong clips until pavers are installed, level, aligned, and fixed at all required corners. Verify full clip seating and cap engagement at each restraint location.
- F. At roof perimeter and corner zones, thoroughly apply manufacturer-approved adhesive to perimeter and corner pedestal heads where shown in project documents or required by wind design. All perimeter pavers requiring adhesive shall be adhered to pedestal heads in accordance with manufacturer instructions and adhesive manufacturer requirements.
 - 1. Checks shall be made constantly for correct elevation and spacing of the installed pavers using laser level, automatic leveler, or mason's line.
 - 2. Slight irregularities in paver thickness and/or deck heights can be compensated for by using one or more regulation shims.
 - 3. Any section of paver, pedestal or protection course which is not restrained by an abutting wall or parapet must be "boxed in" by some field installed restraint.

3.4 UPTURNED LEDGER ANGLE AND PERIMETER SUPPORT DETAILS

- A. Upturned ledger angle details, edge restraint details, and similar perimeter support details shown in SkyDeck USA materials are conceptual or illustrative unless specifically engineered and sealed by the project design professional.
- B. Ledger angles, anchorage, fasteners, welds, substrate attachment, structural support, corrosion protection, load transfer, waterproofing interface, and code compliance shall be designed, specified, reviewed, and approved by the project engineer or other qualified design professional in accordance with applicable codes and site-specific loading requirements.
- C. SkyDeck USA does not engineer, size, select, approve, or assume responsibility for ledger angle anchorage or associated structural connections unless such services are expressly provided under a separate written agreement. The upturned ledger support detail has not been wind-tested as part of the WindStrong system; therefore, SkyDeck USA assumes no responsibility for the structural performance, adequacy, or code compliance of the ledger anchorage design or installation.

3.5 CLEANING AND PROTECTION

- A. Clean products in accordance with the manufacturer's recommendations.
- B. Touch-up, repair or replace damaged products before Substantial Completion.

3.6 ROUTINE MAINTENANCE AND CARE

- A. Remove and replace pavers, which are loose, chipped, broken, stained or otherwise

damaged. Make sure edge restraints stay intact and are structurally sound.

- B. Inspect WindStrong clips, stainless steel securing screws, rubber base pads, Architectural Caps, perimeter adhesive locations, and related edge restraint conditions. Replace damaged, missing, loose, or improperly seated components in accordance with manufacturer recommendations.
- C. Regularly inspect adhesive at perimeter pavers to confirm adhesion is maintained and pavers remain securely restrained against movement.
- D. Remove mortar stains and all other types of soiling from exposed paver surfaces, wash, and scrub clean.
- E. Efflorescence is a naturally occurring white residue or stain that is on the surface of new concrete. The residue will dissipate naturally with time.
- F. Provide final protection and maintain conditions in a manner acceptable to installation, which ensures paver work being without damage or deterioration at time of substantial completion.
- G. Joints and drains should be kept clean to protect from water back up.

END OF SECTION